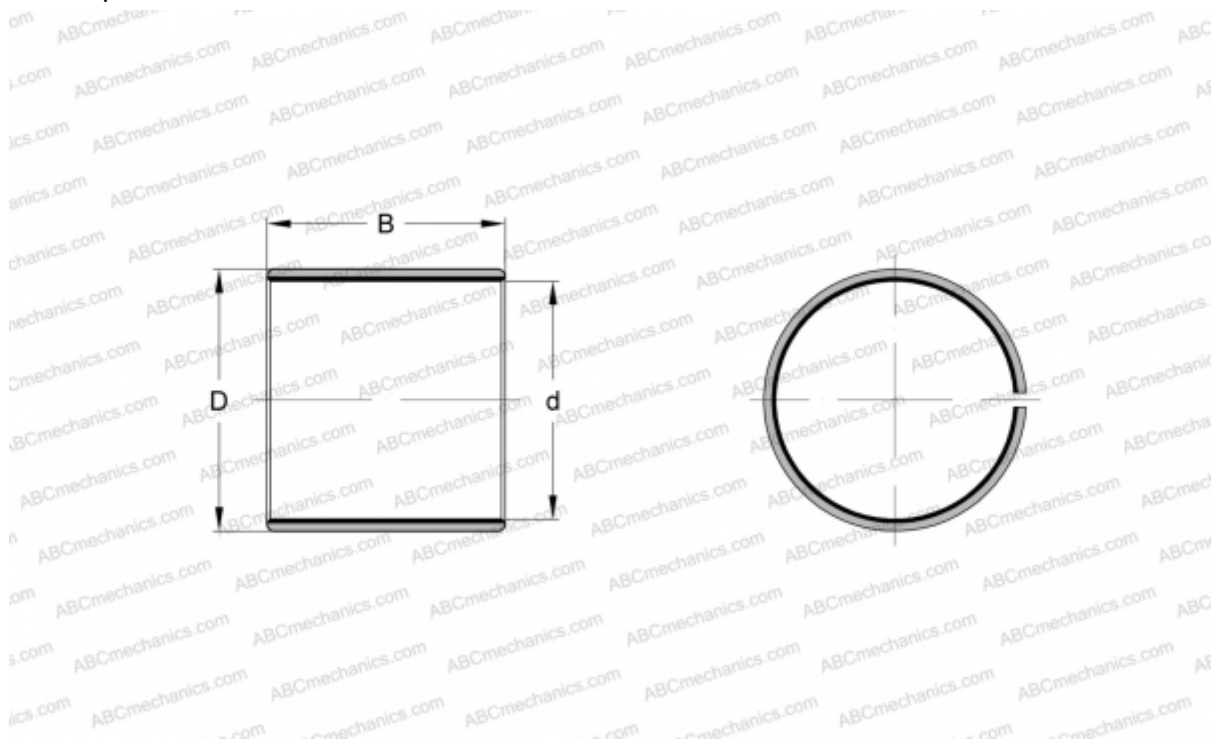


PCM 13514060 E SKF

Plain bushes

TYPE: Plain bearings, Bushings, thrust washers and strips, Bushings, Without flange, Maintenance-free, PTFE composite (SKF)



Technical specification

DIMENSIONS, MM

d	135,000
D	140,000
B	60,000

WEIGHT, KG 0,480

MANUFACTURER [SKF](#)

REPLACES

PCM 13514060 B