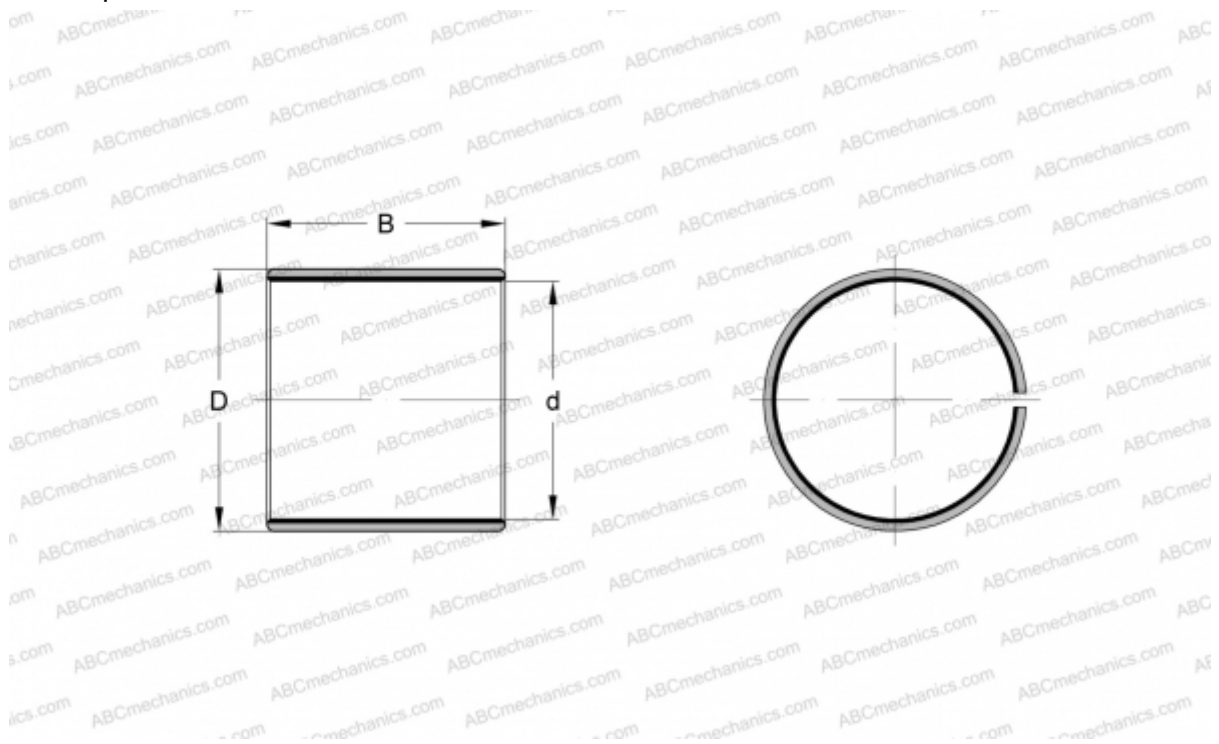


PCZ 1612 E SKF

Plain bushes

TYPE: Plain bearings, Bushings, thrust washers and strips, Bushings, Without flange, Maintenance-free, PTFE composite, inch size (SKF)



Technical specification

DIMENSIONS, MM

d	25,400
D	28,575
B	19,050

WEIGHT, KG 0,019

MANUFACTURER [SKF](#)

REPLACES

PCZ 1612 B