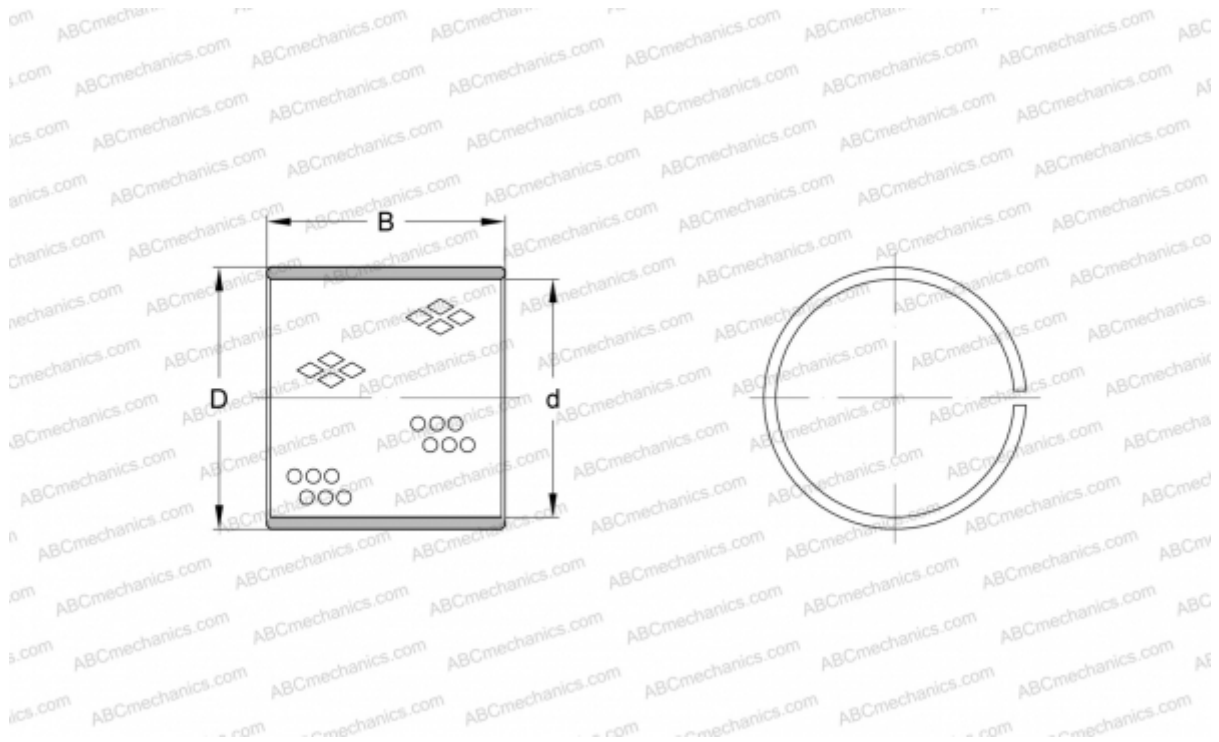


PRM 161825 SKF

Plain bushes

TYPE: Plain bearings, Bushings, thrust washers and strips, Bushings, Without flange, Wrapped bronze (SKF)



Technical specification

DIMENSIONS, MM

| | |
|---|--------|
| d | 16,000 |
| D | 18,000 |
| B | 25,000 |

MANUFACTURER

[SKF](#)