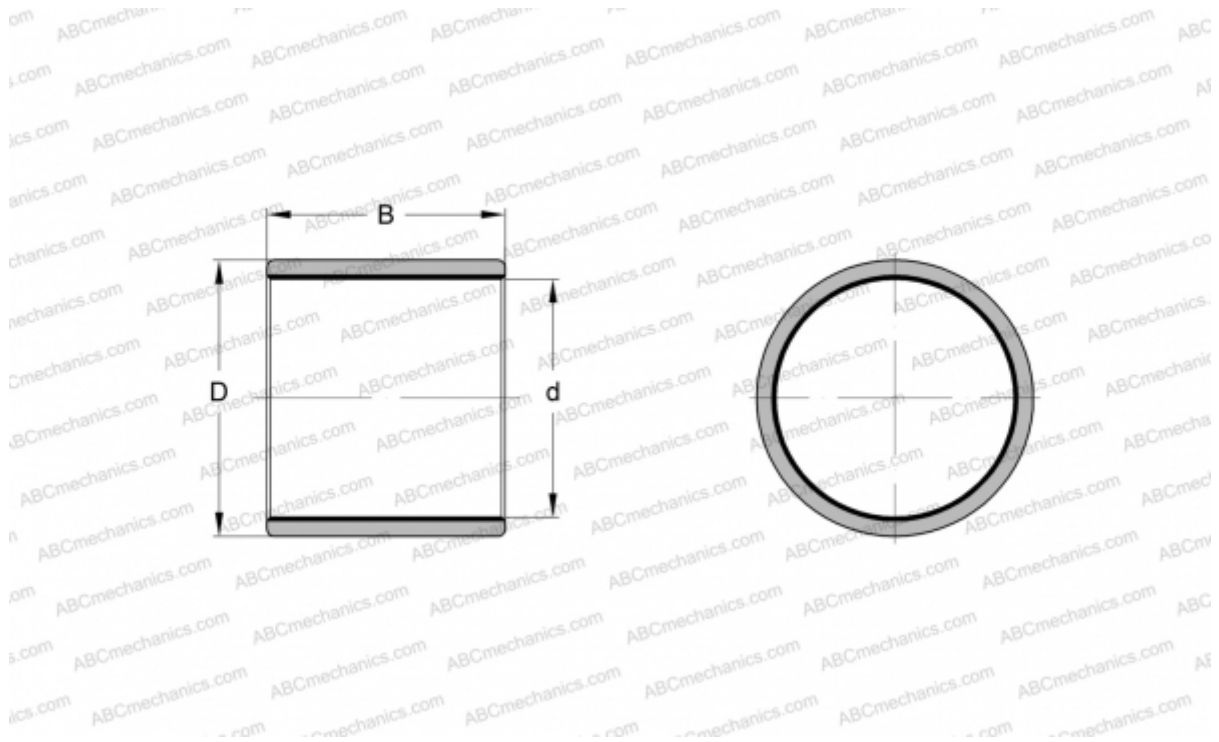


PWM 758550 SKF

Plain bushes

TYPE: Plain bearings, Bushings, thrust washers and strips, Bushings, Without flange, Filament wound (SKF)



Technical specification

DIMENSIONS, MM

| | |
|---|--------|
| d | 75,000 |
| D | 85,000 |
| B | 50,000 |

MANUFACTURER

[SKF](#)