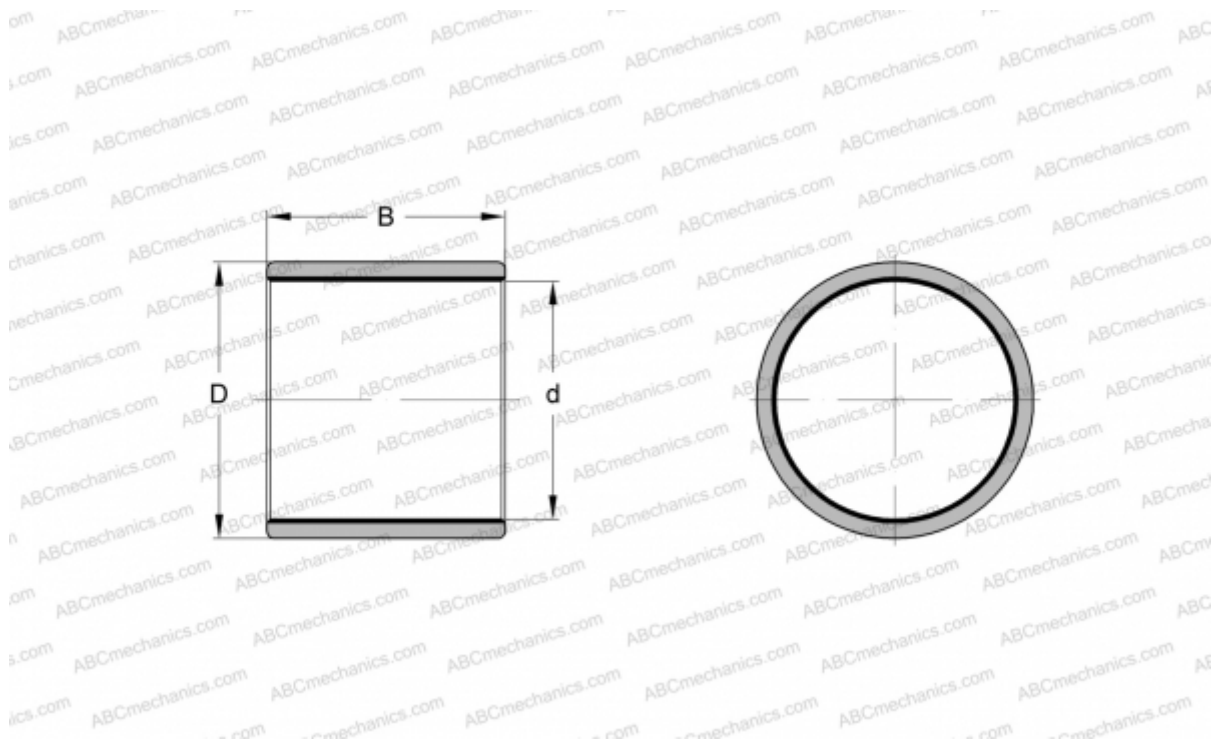


## PWM 100115120 SKF

Plain bushes

TYPE: Plain bearings, Bushings, thrust washers and strips, Bushings, Without flange, Filament wound (SKF)



### Technical specification

#### DIMENSIONS, MM

d	100,000
D	115,000
B	120,000

#### MANUFACTURER

[SKF](#)