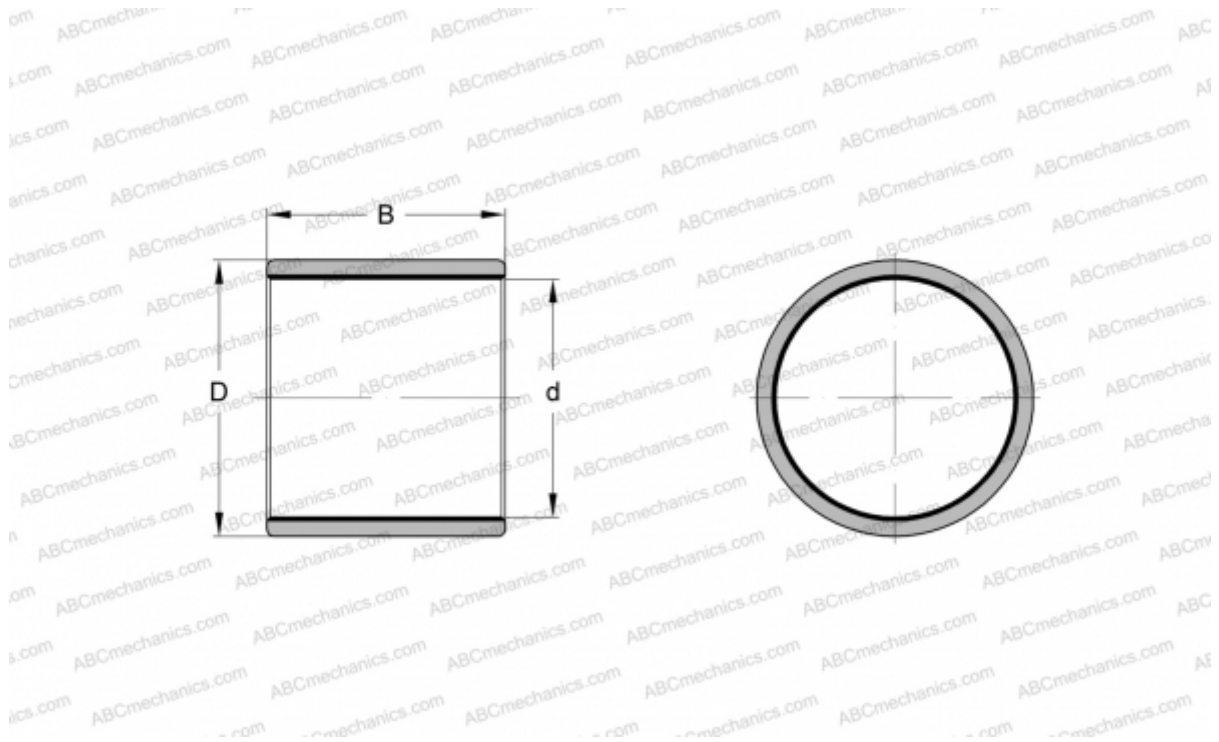


PWM 10512080 SKF

Plain bushes

TYPE: Plain bearings, Bushings, thrust washers and strips, Bushings, Without flange, Filament wound (SKF)



Technical specification

DIMENSIONS, MM

| | |
|---|---------|
| d | 105,000 |
| D | 120,000 |
| B | 80,000 |

MANUFACTURER

[SKF](#)