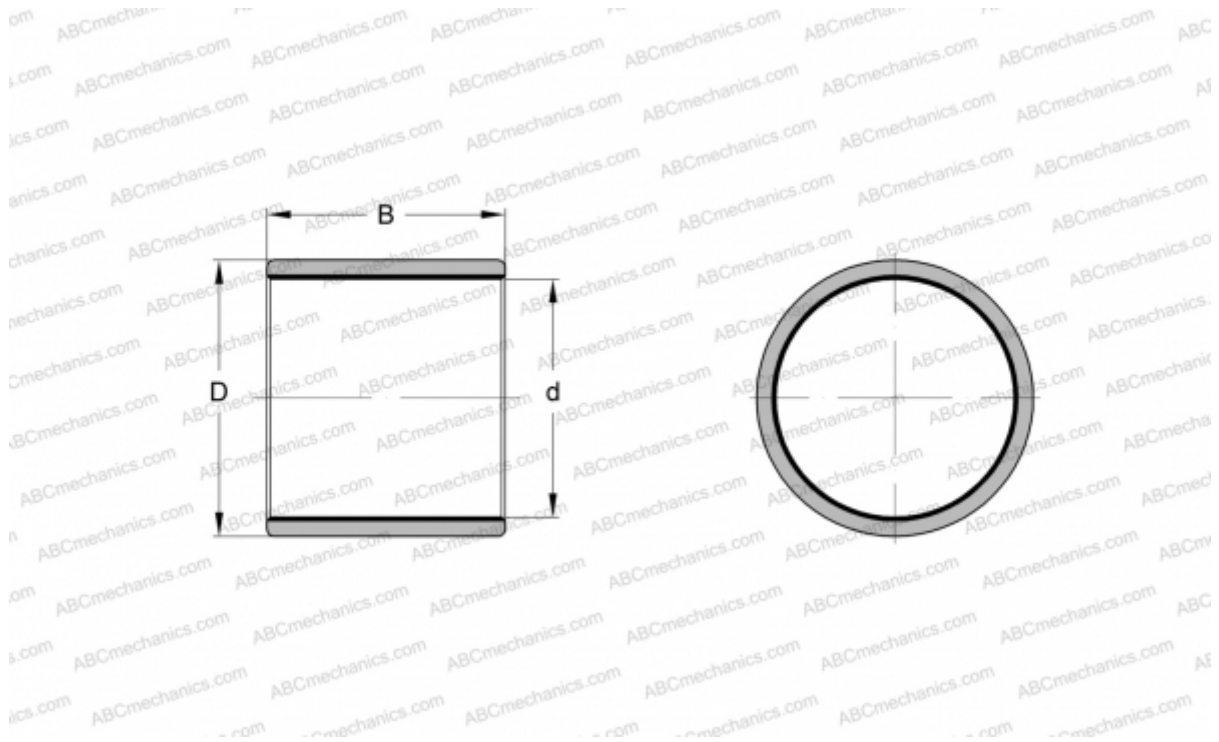


## PWM 180200150 SKF

Plain bushes

TYPE: Plain bearings, Bushings, thrust washers and strips, Bushings, Without flange, Filament wound (SKF)



### Technical specification

#### DIMENSIONS, MM

|   |         |
|---|---------|
| d | 180,000 |
| D | 200,000 |
| B | 150,000 |

#### MANUFACTURER

[SKF](#)