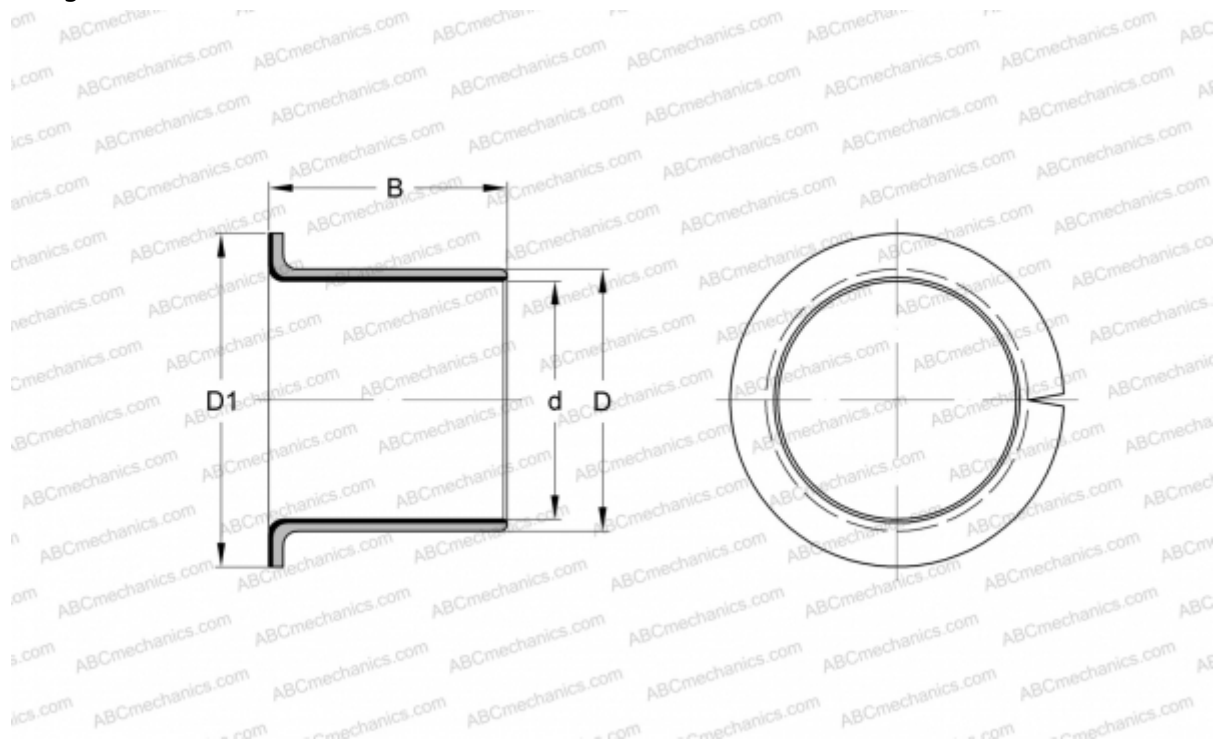


EGF14120-E40 INA

Plain bushes

TYPE: Plain bearings, Bushings, thrust washers and strips, Bushings, Flanged, Maintenance-free, with steel backing (INA)



Technical specification

DIMENSIONS, MM

d	14,000
D	16,000
D1	22,000
B	12,000

WEIGHT, KG 0,005

MANUFACTURER [INA](#)

REPLACES

PAF14120-P14