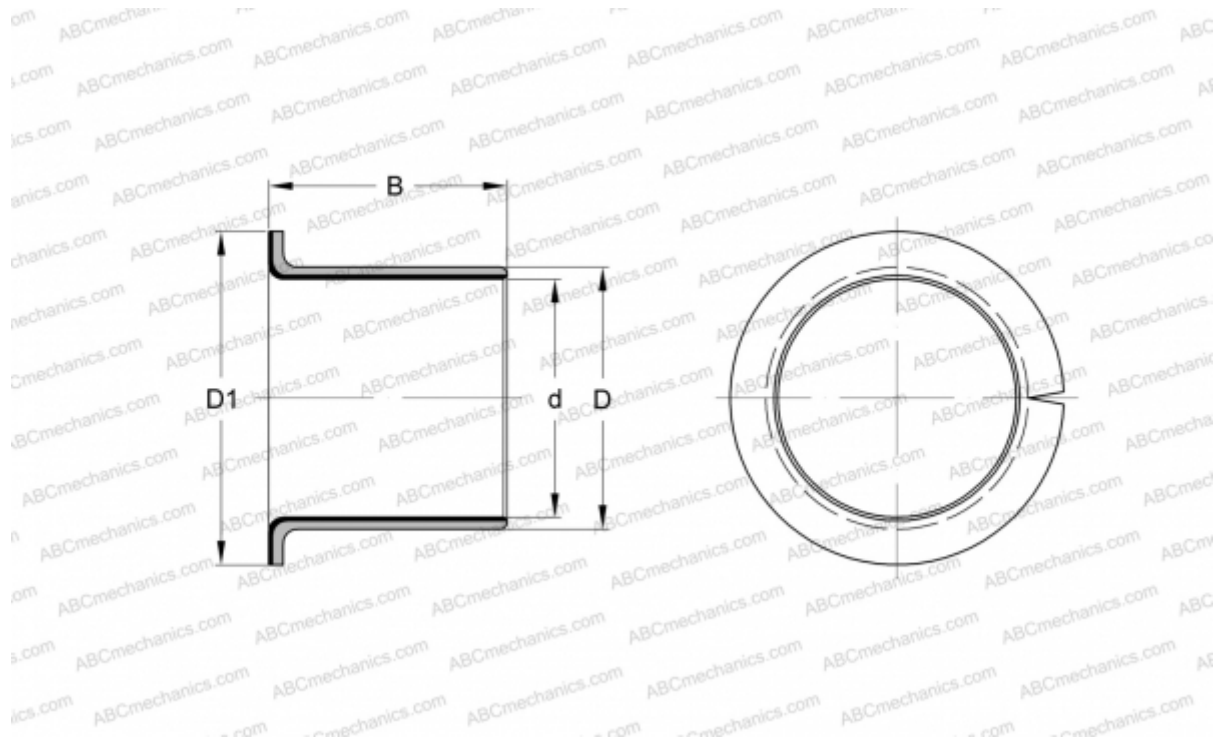


EGF20115-E40 INA

Plain bushes

TYPE: Plain bearings, Bushings, thrust washers and strips, Bushings, Flanged, Maintenance-free, with steel backing (INA)



Technical specification

DIMENSIONS, MM

| | |
|----|--------|
| d | 20,000 |
| D | 23,000 |
| D1 | 30,000 |
| B | 11,500 |

WEIGHT, KG 0,011

MANUFACTURER [INA](#)

REPLACES

PAF20115-P14