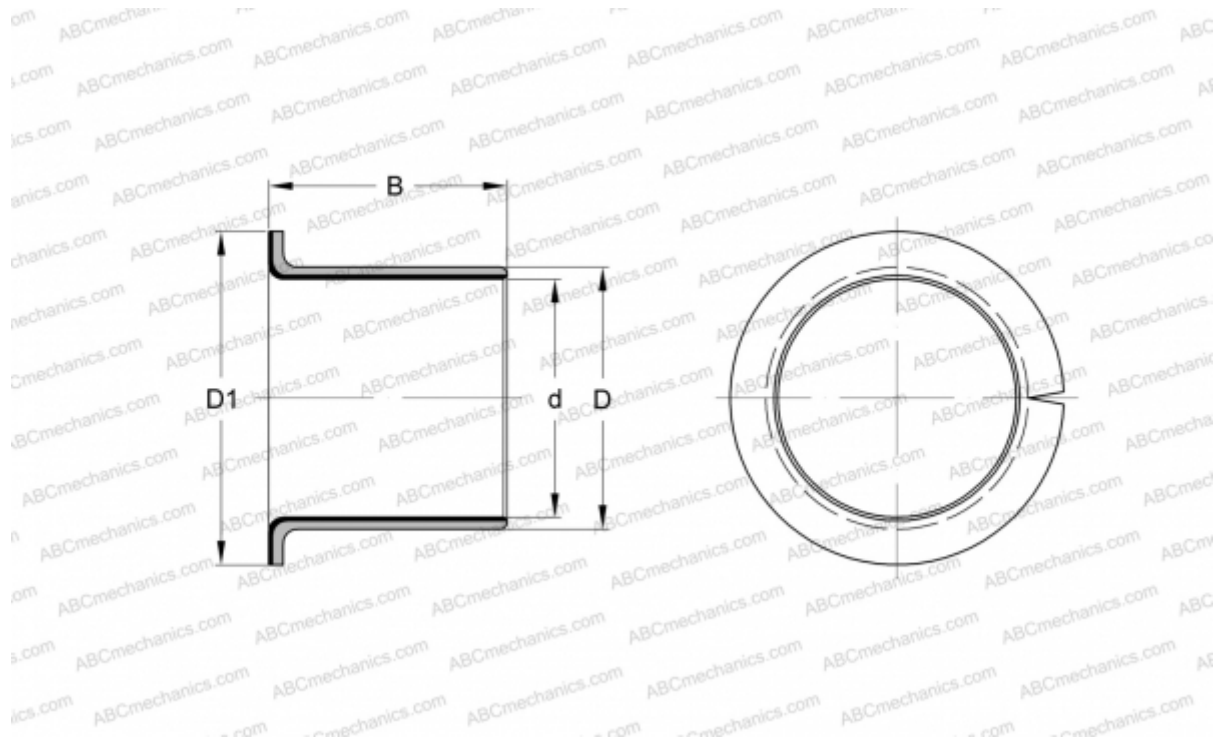


## EGF25115-E40 INA

Plain bushes

TYPE: Plain bearings, Bushings, thrust washers and strips, Bushings, Flanged, Maintenance-free, with steel backing (INA)



### Technical specification

#### DIMENSIONS, MM

d	25,000
D	28,000
D1	35,000
B	11,500

**WEIGHT, KG** 0,014

**MANUFACTURER** [INA](#)

#### REPLACES

PAF25115-P14