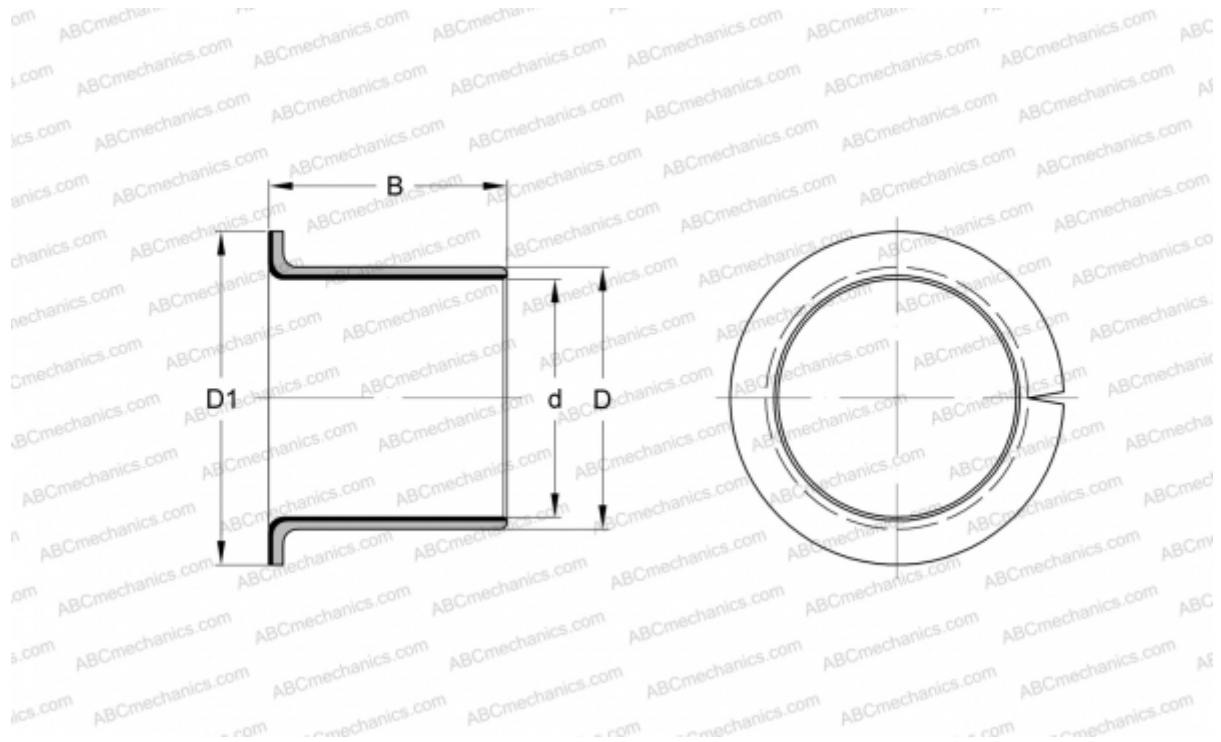


EGF15170-E40-B INA

Plain bushes

TYPE: Plain bearings, Bushings, thrust washers and strips, Bushings, Flanged, Maintenance-free, with bronze backing (INA)



Technical specification

DIMENSIONS, MM

d	15,000
D	17,000
D1	23,000
B	17,000

WEIGHT, KG 0,008

MANUFACTURER [INA](#)

REPLACES

PAF15170-P11