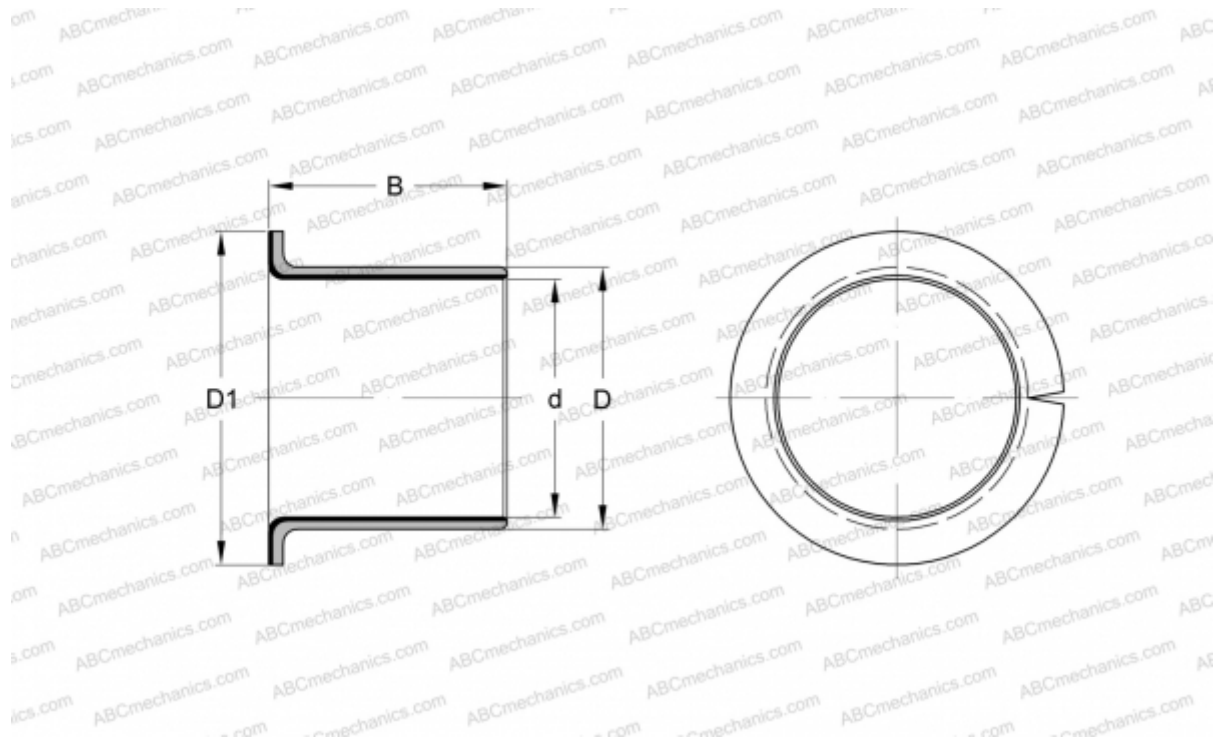


## EGF18220-E40-B INA

Plain bushes

TYPE: Plain bearings, Bushings, thrust washers and strips, Bushings, Flanged, Maintenance-free, with bronze backing (INA)



### Technical specification

#### DIMENSIONS, MM

d	18,000
D	20,000
D1	26,000
B	22,000

**WEIGHT, KG** 0,012

**MANUFACTURER** [INA](#)

#### REPLACES

PAF18220-P11