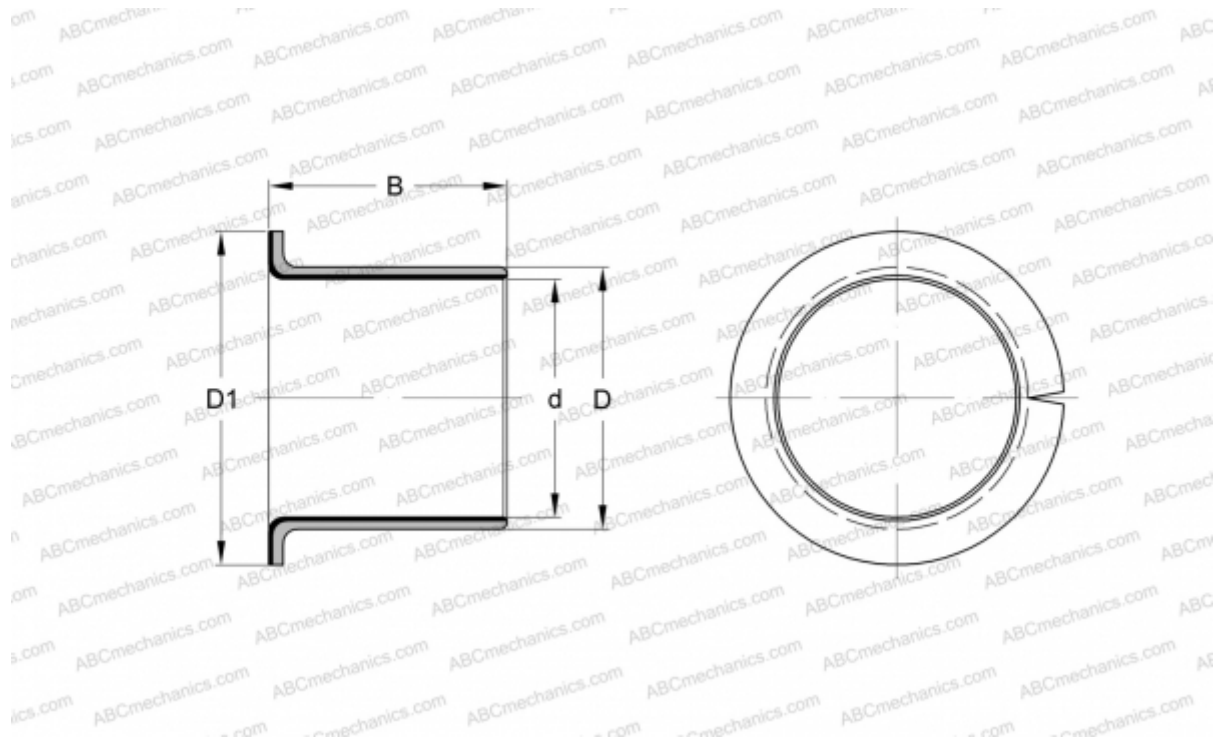


PCMF 161812 E SKF

Plain bushes

TYPE: Plain bearings, Bushings, thrust washers and strips, Bushings, Flanged, Maintenance-free, PTFE composite (SKF)



Technical specification

DIMENSIONS, MM

d	16,000
D	18,000
D1	24,000
B	12,000

WEIGHT, KG 0,006

MANUFACTURER [SKF](#)

REPLACES

PCMF161812B