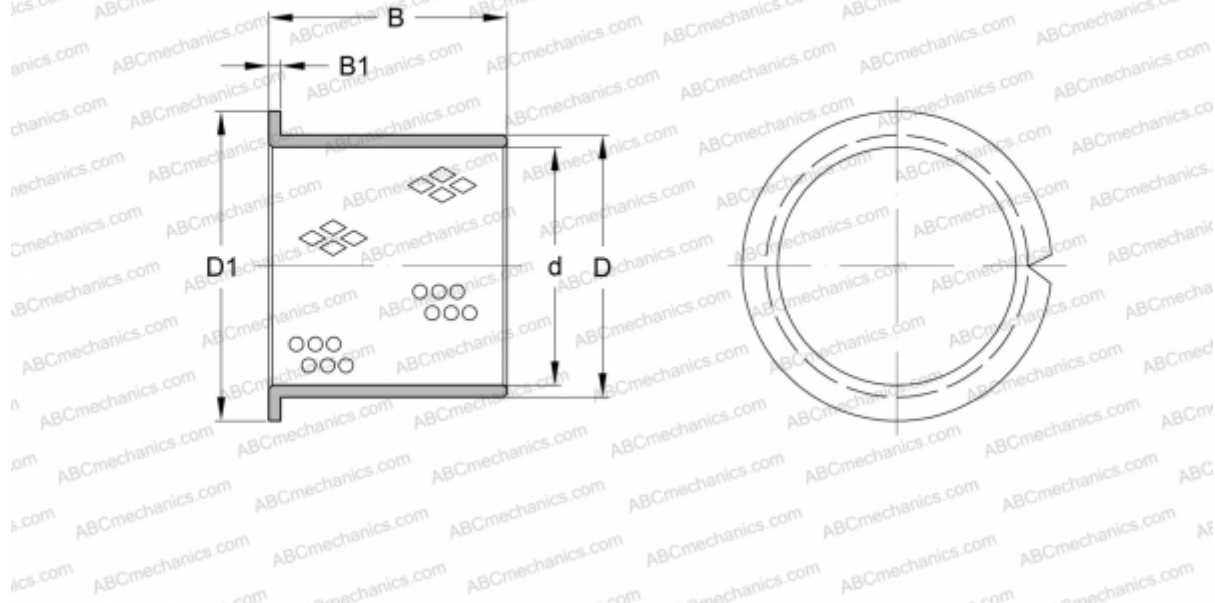


PRMF 353935 SKF

Plain bushes

TYPE: Plain bearings, Bushings, thrust washers and strips, Bushings, Flanged, Wrapped bronze (SKF)



Technical specification

DIMENSIONS, MM

d	35,000
D	39,000
D1	50,000
B	35,000
B1	2,000

MANUFACTURER

[SKF](#)