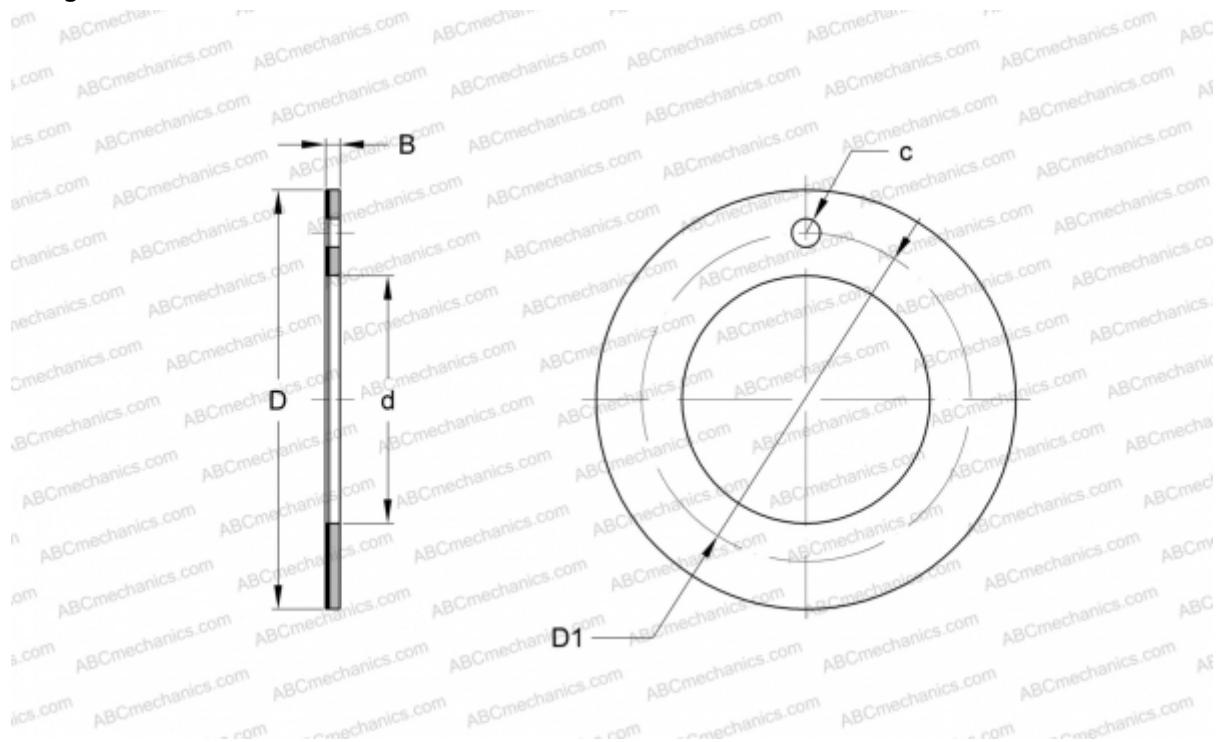


## EGW14-E40 INA

Thrust washers

TYPE: Plain bearings, Bushings, thrust washers and strips, Thrust washers, Maintenance-free, with steel backing (INA)



### Technical specification

#### DIMENSIONS, MM

d	14,000
D	26,000
D1	20,000
B	1,500
c	2,000

**WEIGHT, KG** 0,004

**MANUFACTURER** [INA](#)

#### REPLACES

PAW14-P14