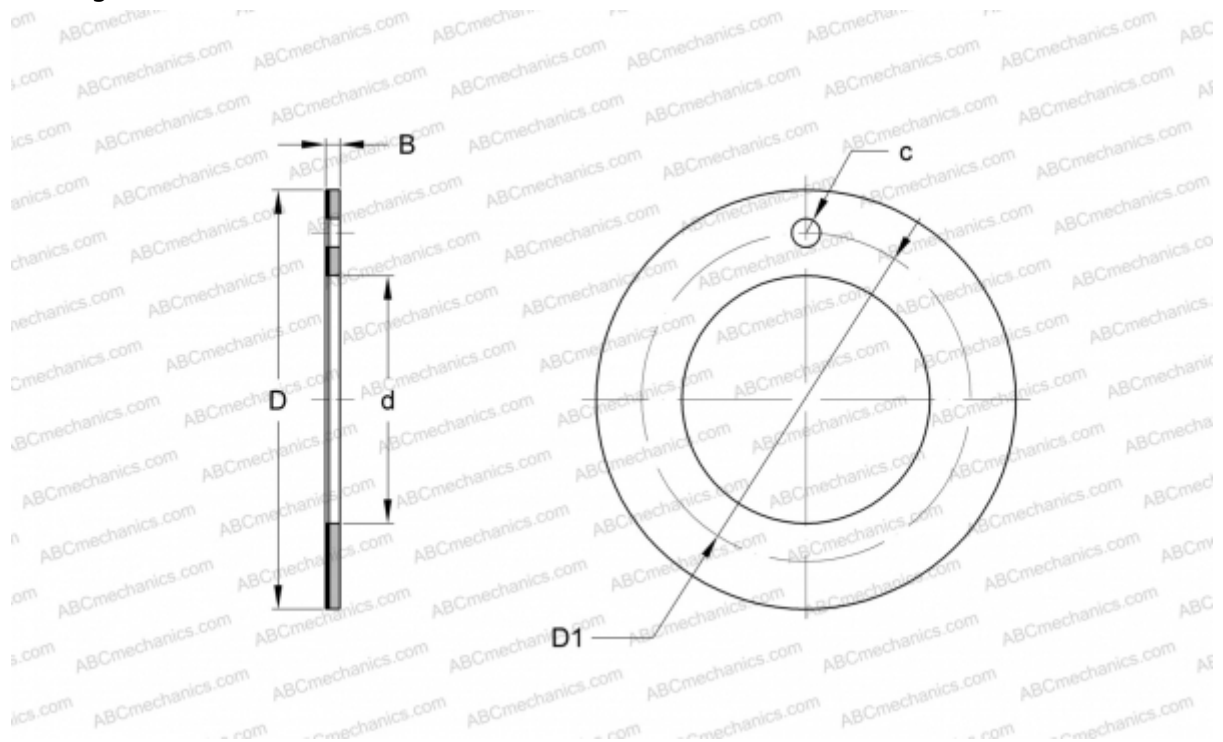


EGW10-E40-B INA

Thrust washers

TYPE: Plain bearings, Bushings, thrust washers and strips, Thrust washers, Maintenance-free, with bronze backing (INA)



Technical specification

DIMENSIONS, MM

d	10,000
D	20,000
B	1,500

WEIGHT, KG 0,003

MANUFACTURER [INA](#)

REPLACES

PAW10-P11