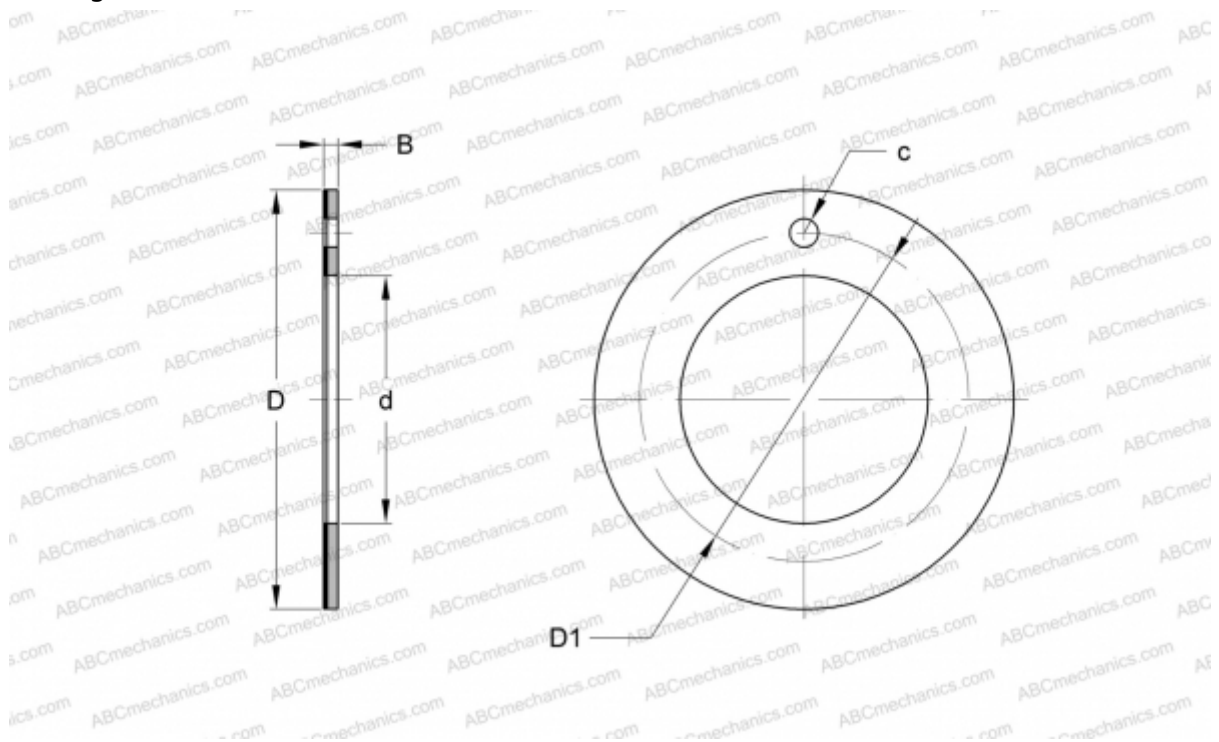


## EGW16-E40-B INA

Thrust washers

TYPE: Plain bearings, Bushings, thrust washers and strips, Thrust washers, Maintenance-free, with bronze backing (INA)



### Technical specification

#### DIMENSIONS, MM

d	16,000
D	30,000
D1	22,000
B	1,500
c	2,000

**WEIGHT, KG** 0,006

**MANUFACTURER** [INA](#)

#### REPLACES

PAW16-P11