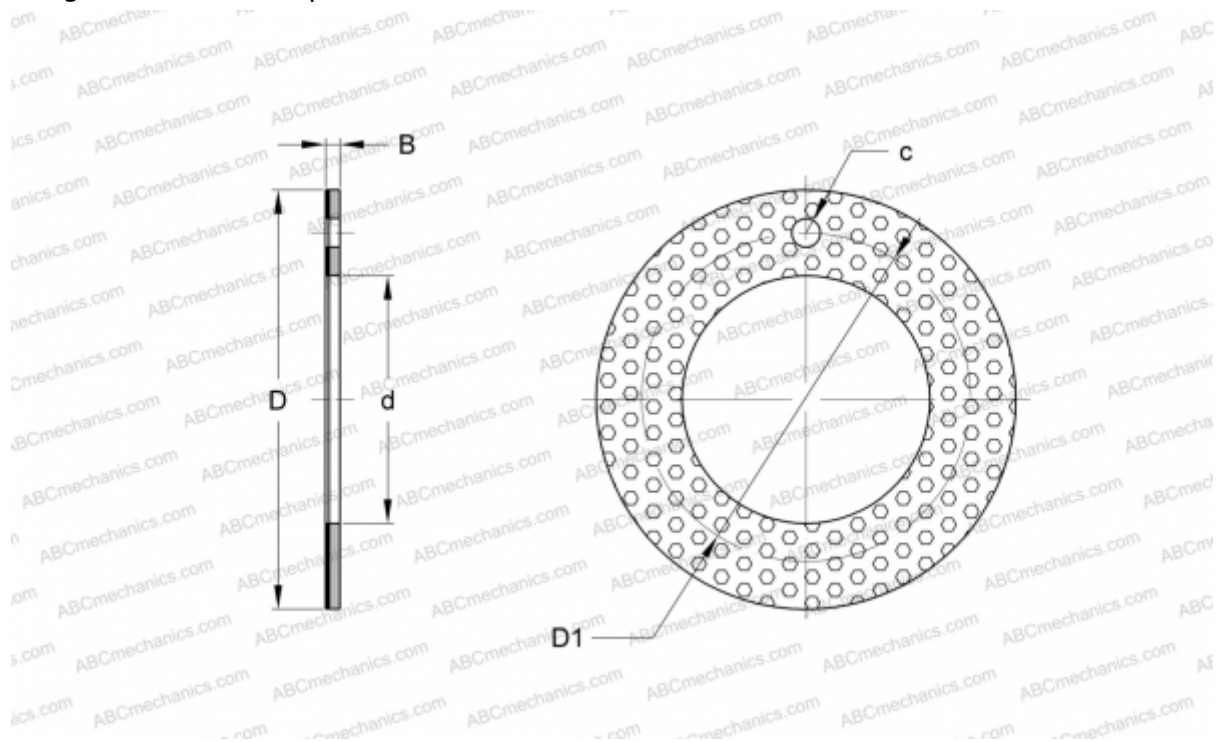


EGW12-E50 INA

Thrust washers

TYPE: Plain bearings, Bushings, thrust washers and strips, Thrust washers, Low-maintenance, with steel backing and lubrication pockets (INA)



Technical specification

DIMENSIONS, MM

d	12,000
D	24,000
D1	18,000
B	1,500
c	1,500

WEIGHT, KG 0,003

MANUFACTURER [INA](#)

REPLACES

PAW12-P20