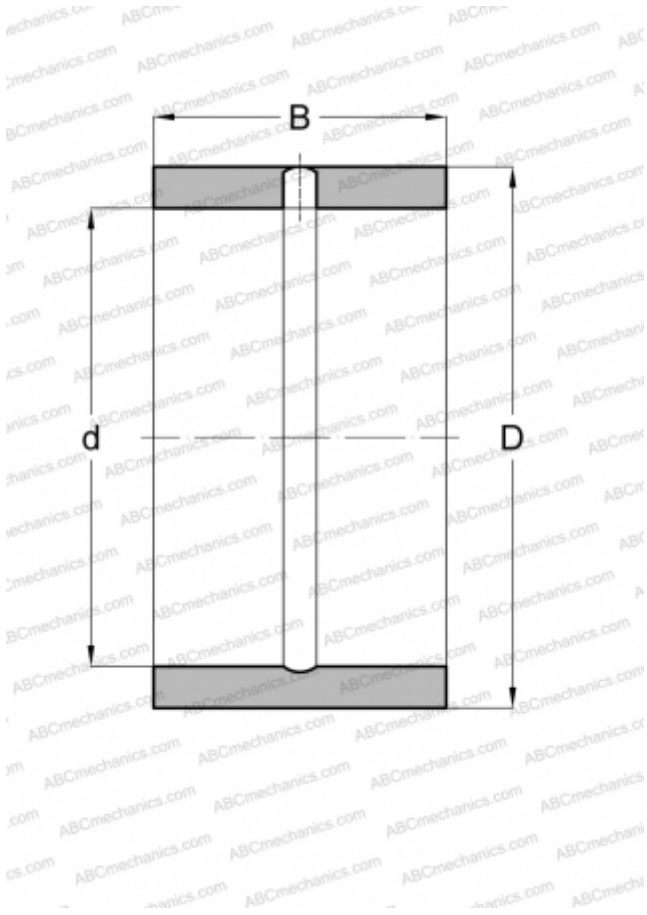


## IR-8810448 NSK

Inner ring

TYPE: Rolling bearing parts and accessories, Inner ring, For solid needle roller bearings, type IR (NSK), inch size



### Technical specification

#### DIMENSIONS, MM

d	139,700
D	165,100
B	76,200

#### WEIGHT, KG

3,650

#### MANUFACTURER

[NSK](#)

#### ASSOCIATED PRODUCTS

HJ-10412848