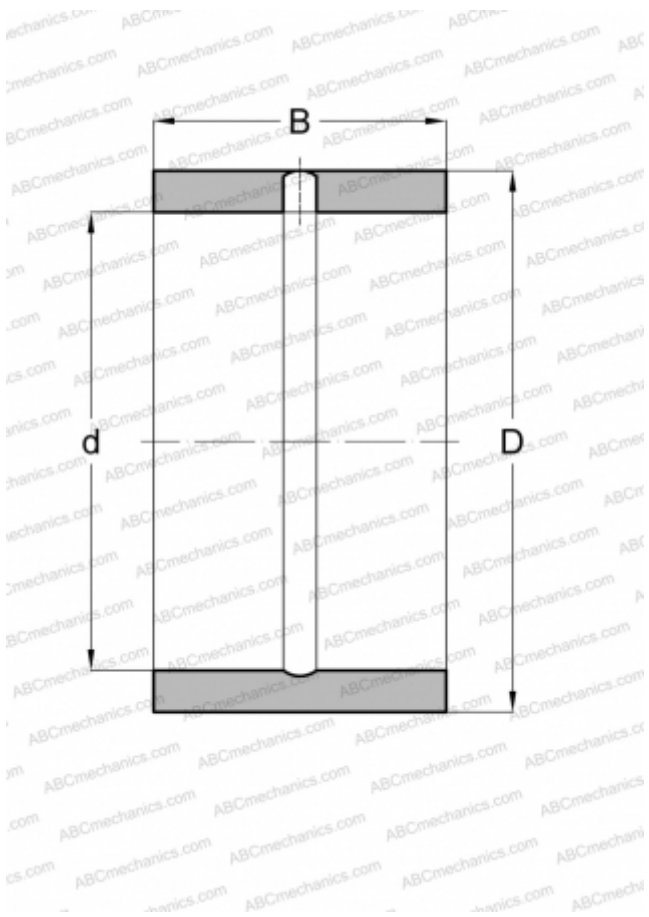


IR-9611648 NSK

Inner ring

TYPE: Rolling bearing parts and accessories, Inner ring, For solid needle roller bearings, type IR (NSK), inch size



Technical specification

DIMENSIONS, MM

d	152,400
D	184,150
B	76,200

WEIGHT, KG

4,900

MANUFACTURER

[NSK](#)

ASSOCIATED PRODUCTS

HJ-11614648