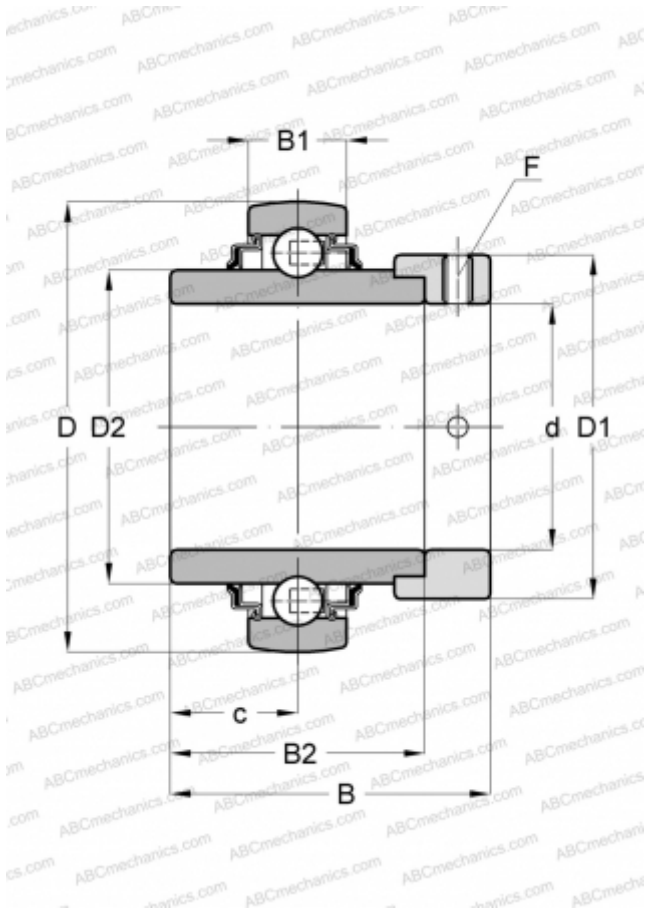


## NE50-KRR-B INA

Insert bearings

TYPE: Ball bearings, Radial insert bearings, With eccentric locking collar, Spherical outer ring, Series NE..-KRR-B(INA), seals on both side



### Technical specification

#### DIMENSIONS, MM

d	50,000
D	110,000
D1	75,800
D2	68,800
B	66,750
B1	29,000
B2	49,200
c	24,600
F	5

#### WEIGHT, KG

1,820

#### MANUFACTURER

[INA](#)

#### REPLACES

NE50-XL-KRR-B