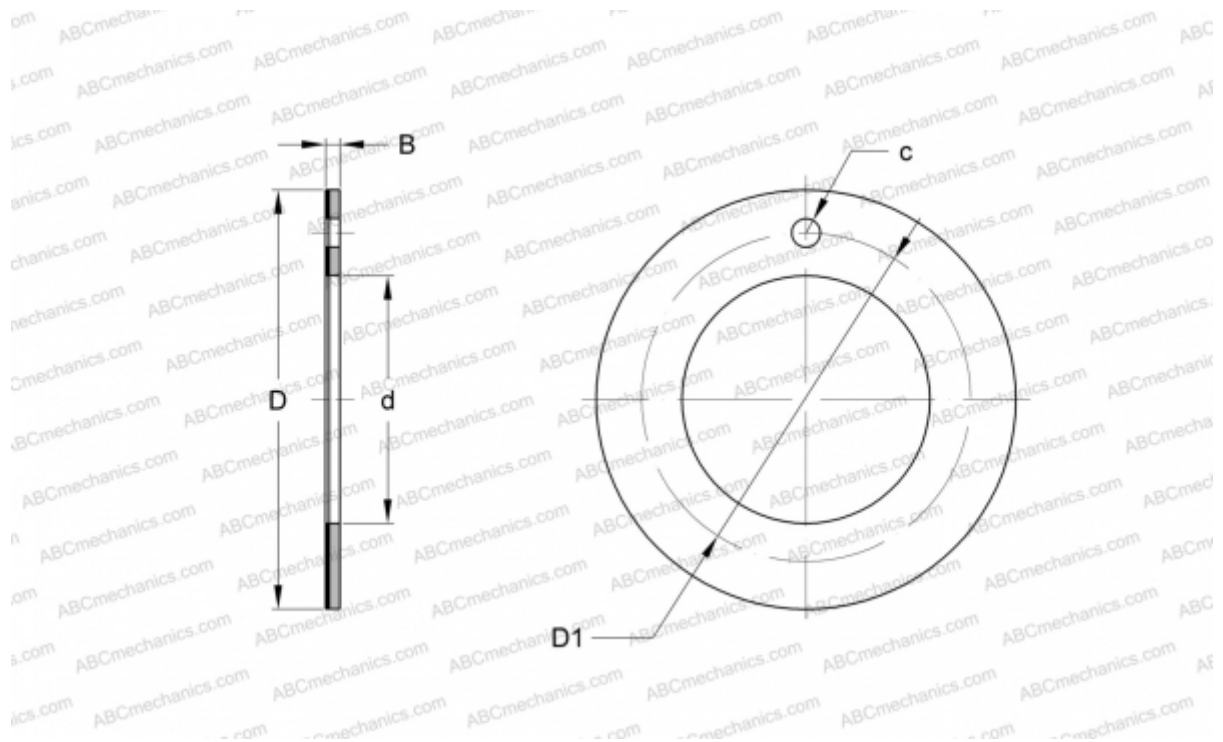


PCMW 122401.5 E SKF

Thrust washers

TYPE: Plain bearings, Bushings, thrust washers and strips, Thrust washers, Maintenance-free, PTFE composite (SKF)



Technical specification

DIMENSIONS, MM

d	12,000
D	24,000
D1	18,000
B	1,500
c	1,750

WEIGHT, KG 0,004

MANUFACTURER [SKF](#)

REPLACES

PCMW122401.5B