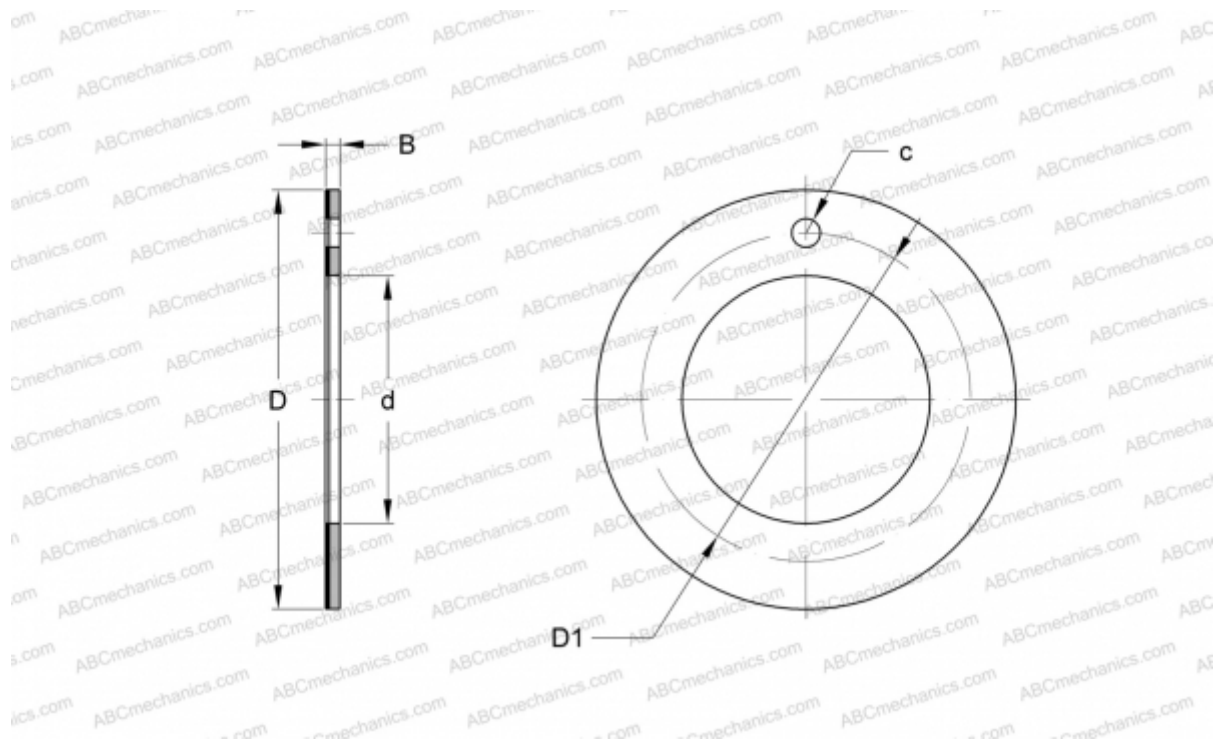


## PCMW 223801.5 E SKF

Thrust washers

TYPE: Plain bearings, Bushings, thrust washers and strips, Thrust washers, Maintenance-free, PTFE composite (SKF)



### Technical specification

#### DIMENSIONS, MM

d	22,000
D	38,000
D1	30,000
B	1,500
c	3,250

**WEIGHT, KG** 0,009

**MANUFACTURER** [SKF](#)

#### REPLACES

PCMW223801.5B