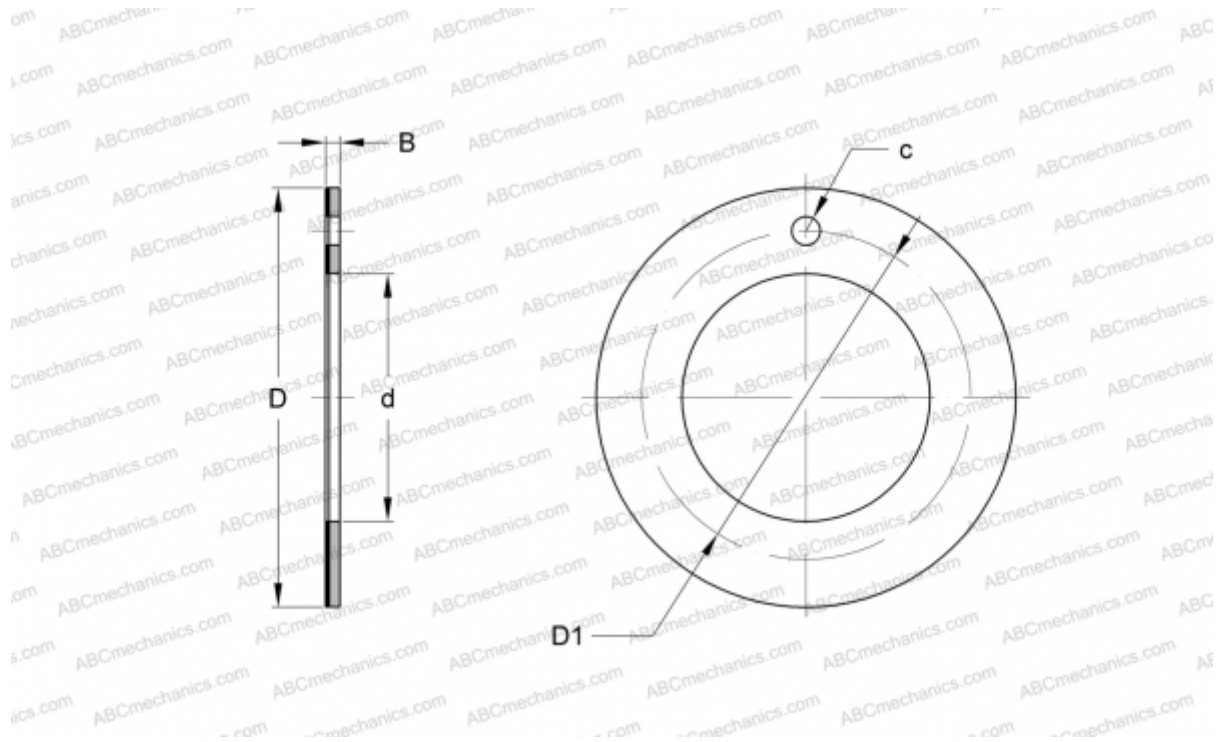


PCMW 527802 E SKF

Thrust washers

TYPE: Plain bearings, Bushings, thrust washers and strips, Thrust washers, Maintenance-free, PTFE composite (SKF)



Technical specification

DIMENSIONS, MM

d	52,000
D	78,000
D1	65,000
B	2,000
c	4,250

WEIGHT, KG 0,039

MANUFACTURER [SKF](#)

REPLACES

PCMW527802B