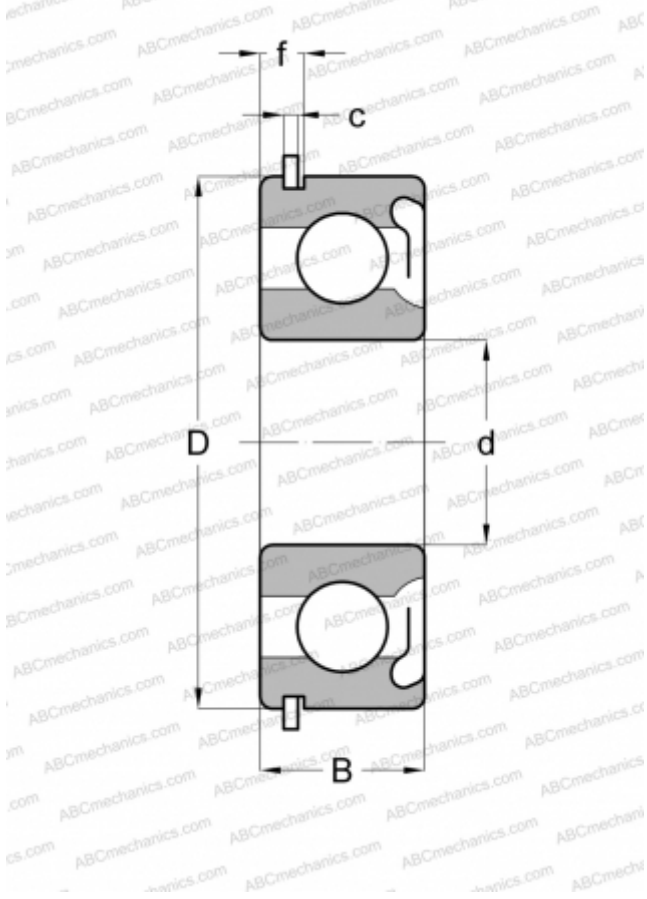


6305 ZNR ABC

Deep groove ball bearings

TYPE: Ball bearings, Radial ball bearings, Single row, With snap ring groove, Snap ring, shield Z



Technical specification

DIMENSIONS, MM

d	25,000
D	62,000
B	17,000
f	5,156
c	1,880

WEIGHT, KG

0,236

MANUFACTURER

[ABC](#)

INTERCHANGE

SKF	6305-ZNR
MRC	305-SFG
FAG	6305 ZNR
FAFNIR	305KDG
STEYR	6305 ZNR
NEW DEPARTURE	47605