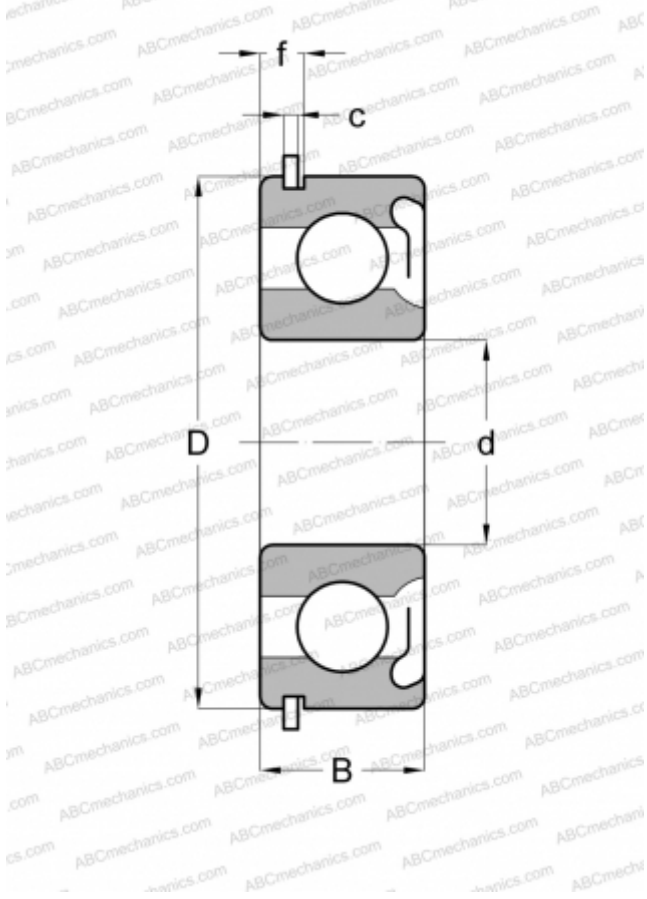


310-SFG MRC

Deep groove ball bearings

TYPE: Ball bearings, Radial ball bearings, Single row, With snap ring groove, Snap ring, shield Z



Technical specification

DIMENSIONS, MM

d	50,000
D	110,000
B	27,000
f	5,969
c	2,692

WEIGHT, KG

1,070

MANUFACTURER

[MRC](#)

INTERCHANGE

ABC	6310 ZNR
SKF	6310-ZNR
FAG	6310 ZNR
FAFNIR	310KDG
STEYR	6310 ZNR
NEW DEPARTURE	47610