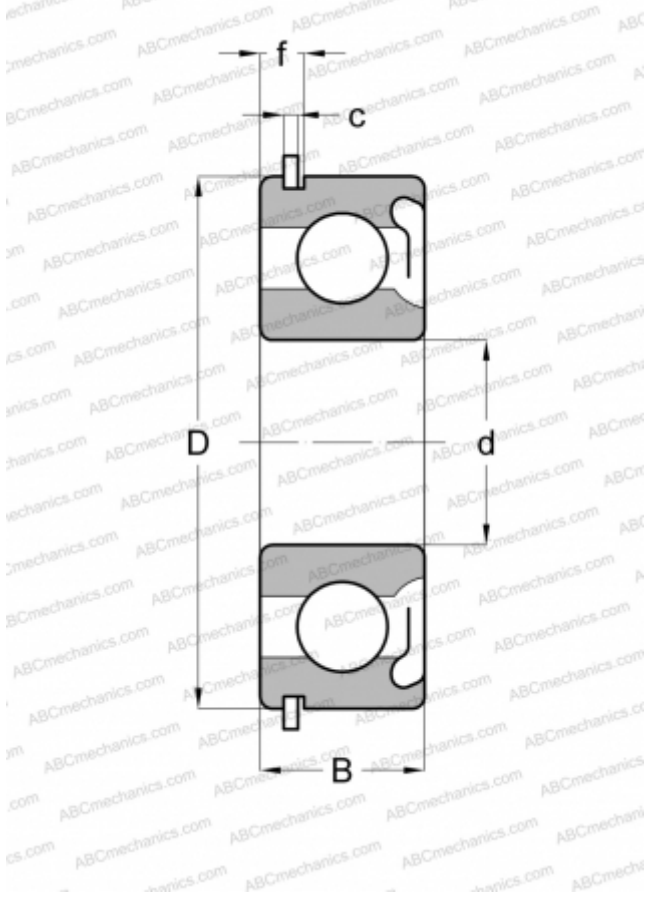


6011 ZNR ABC

Deep groove ball bearings

TYPE: Ball bearings, Radial ball bearings, Single row, With snap ring groove, Snap ring, shield Z



Technical specification

DIMENSIONS, MM

d	55,000
D	90,000
B	18,000
f	5,537
c	2,692

WEIGHT, KG

0,381

MANUFACTURER

[ABC](#)

INTERCHANGE

MRC	111-KSFG
STEYR	6011 ZNR
NEW DEPARTURE	473L11