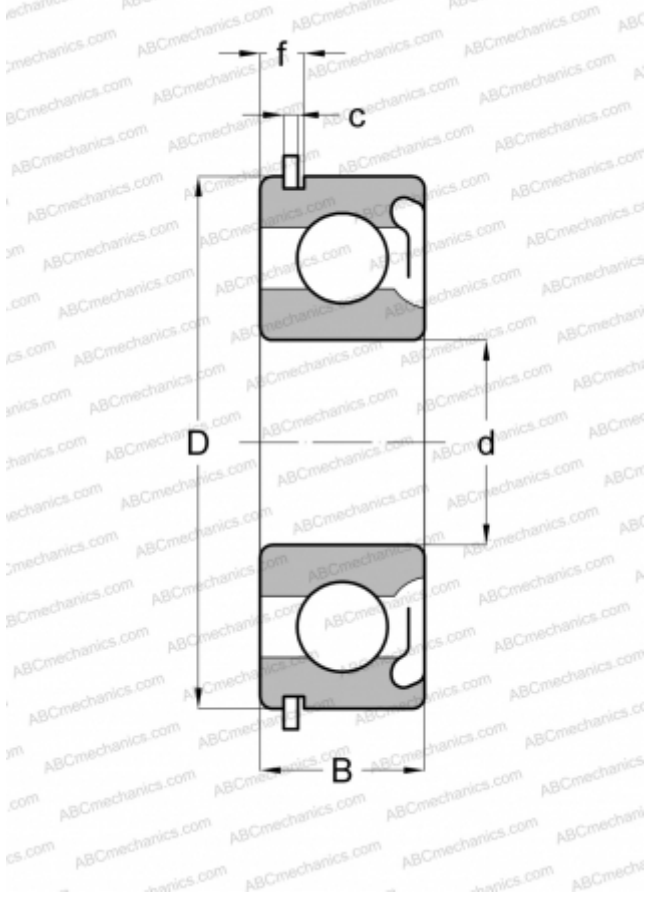


317-SFG MRC

Deep groove ball bearings

TYPE: Ball bearings, Radial ball bearings, Single row, With snap ring groove, Snap ring, shield Z



Technical specification

DIMENSIONS, MM

d	85,000
D	180,000
B	41,000
f	9,169
c	3,480

WEIGHT, KG

4,232

MANUFACTURER

[MRC](#)

INTERCHANGE

ABC	6317 ZNR
FAG	6317 ZNR
STEYR	6317 ZNR
NEW DEPARTURE	47617