

6209-2ZNR SKF

Deep groove ball bearings

TYPE: Ball bearings, Radial ball bearings, Single row, With snap ring groove, Snap ring, shields 2Z

Technical specification

DIMENSIONS, MM

d	45,000
D	85,000
B	19,000
c	1,700

WEIGHT, KG

0,410

MANUFACTURER

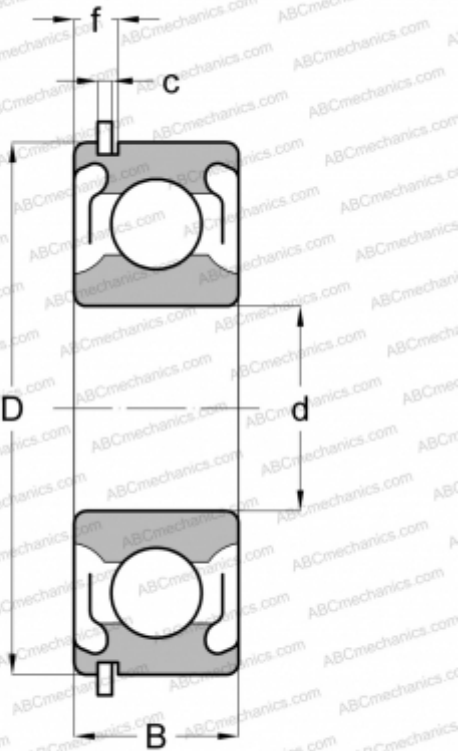
[SKF](#)

INTERCHANGE

ABC	6209 2ZNR
MRC	209-SFFG
FAG	6209-2ZNR
FAFNIR	209KDDG
STEYR	6209-2ZNR
NEW DEPARTURE	477509

CALCULATION DATA

Basic dynamic load rating, C	35,100 kN
Basic static load rating, Co	21,600 kN
Fatigue load limit, Pu	0,915 kN
Reference speed	17000 r/min
Limiting speed	11000 r/min



INCLUDED PRODUCTS

SP 85 Snap ring