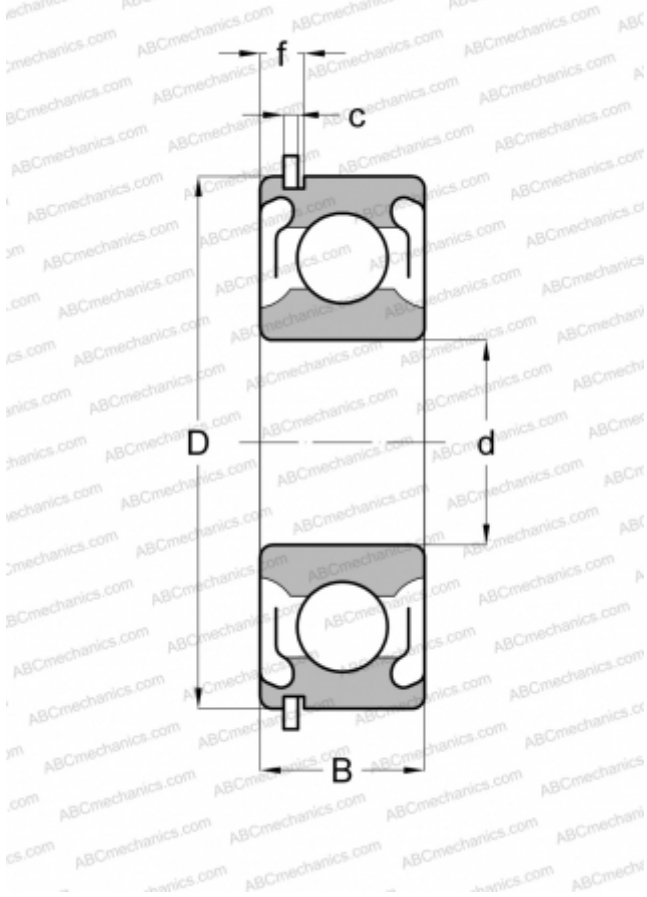


6212-2ZNR FAG

Deep groove ball bearings

TYPE: Ball bearings, Radial ball bearings, Single row, With snap ring groove, Snap ring, shields 2Z



Technical specification

DIMENSIONS, MM

d	60,000
D	110,000
B	22,000
f	5,969
c	2,692

WEIGHT, KG

0,785

MANUFACTURER

[FAG](#)

INTERCHANGE

ABC	6212 2ZNR
SKF	6212-2ZNR
MRC	212-SFFG
STEYR	6212-2ZNR
NEW DEPARTURE	477512