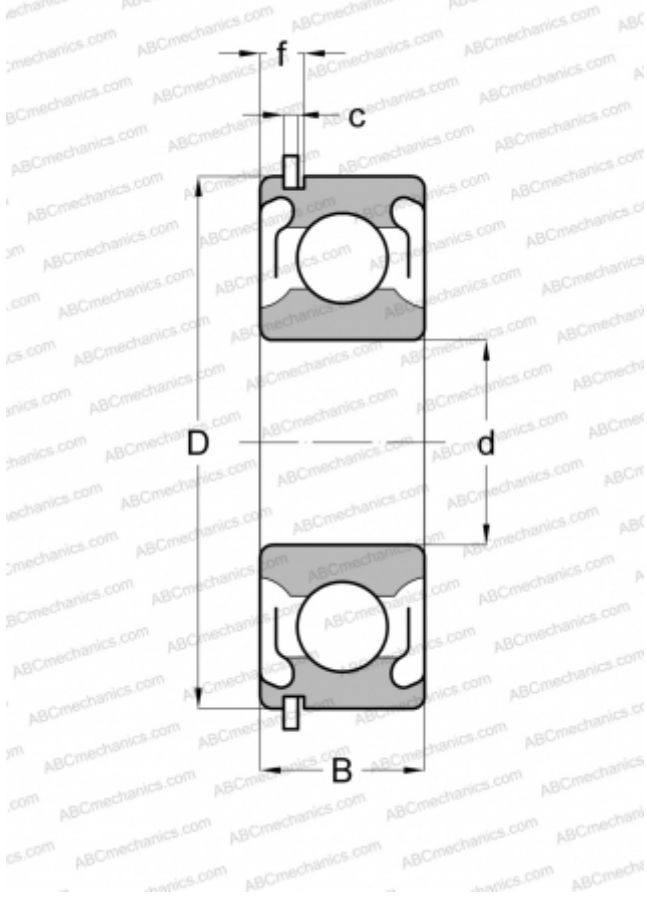


312-SFFG MRC

Deep groove ball bearings

TYPE: Ball bearings, Radial ball bearings, Single row, With snap ring groove, Snap ring, shields 2Z



Technical specification

DIMENSIONS, MM

d	60,000
D	130,000
B	31,000
f	7,137
c	3,099

WEIGHT, KG

1,701

MANUFACTURER

[MRC](#)

INTERCHANGE

ABC	6312 2ZNR
SKF	6312-2ZNR
FAG	6312-2ZNR
FAFNIR	312KDDG
STEYR	6312-2ZNR
NEW DEPARTURE	477612