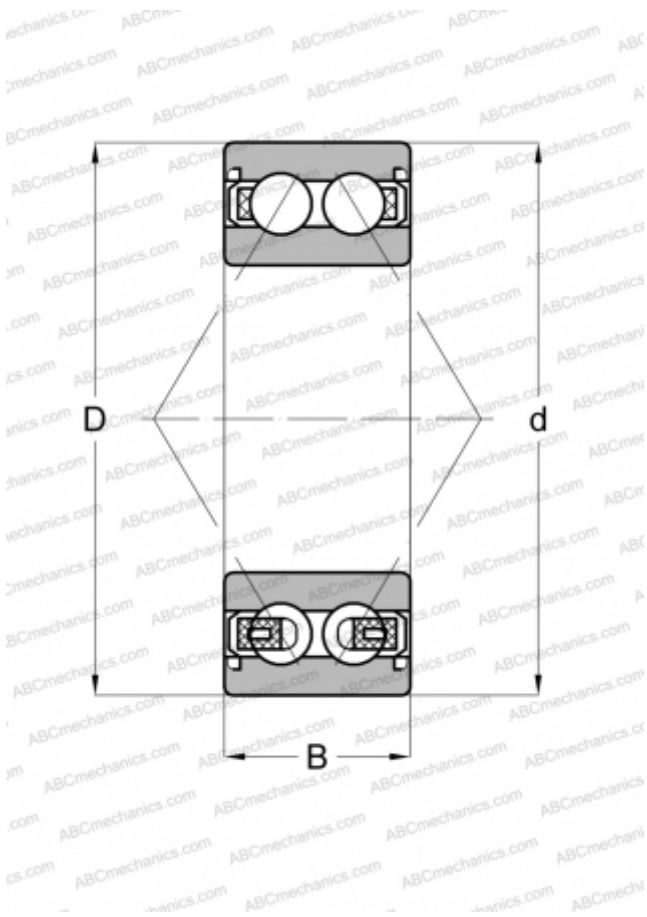


3201 A-2RS1 SKF

Angular contact ball bearings

TYPE: Ball bearings, Angular contact ball bearing, Double row, Contact angle 30°, Lip seals on both side



Technical specification

DIMENSIONS, MM

d	12,000
D	32,000
B	15,900

WEIGHT, KG

0,058

MANUFACTURER

[SKF](#)

INTERCHANGE

ABC	3201 A 2RS1
-----	-----------------------------

CALCULATION DATA

Basic dynamic load rating, C	10,100 kN
Basic static load rating, Co	5,600 kN
Fatigue load limit, Pu	0,240 kN
Reference speed	22000 r/min
Limiting speed	15000 r/min