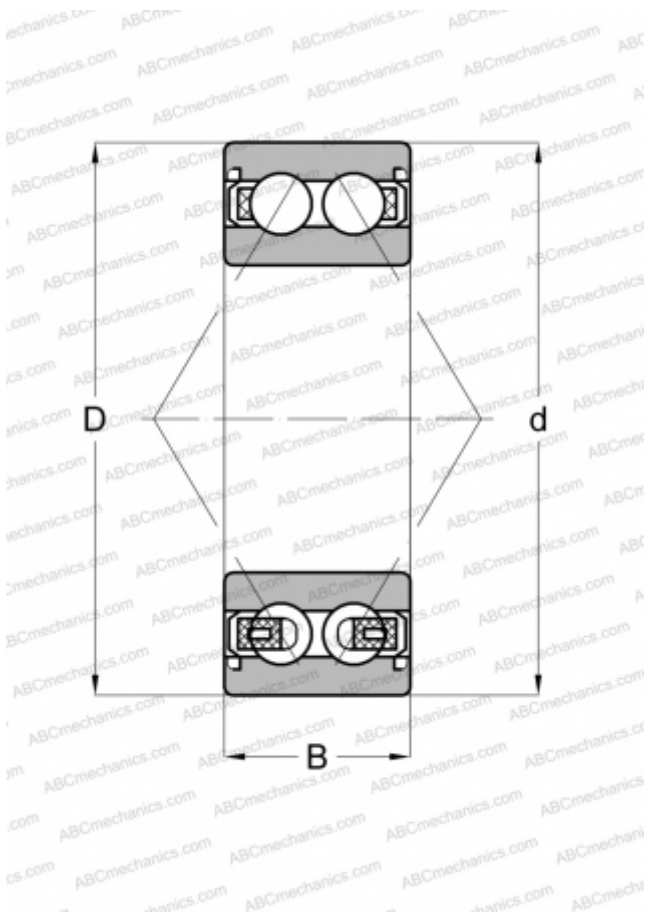


## 3208 A-2RS1 SKF

Angular contact ball bearings

TYPE: Ball bearings, Angular contact ball bearing, Double row, Contact angle 30°, Lip seals on both side



### Technical specification

#### DIMENSIONS, MM

d	40,000
D	80,000
B	30,200

#### WEIGHT, KG

0,570

#### MANUFACTURER

[SKF](#)

#### INTERCHANGE

ABC	<a href="#">3208 BD 2RSR TVH</a>
FAG	<a href="#">3208 BD 2RSR TVH</a>

#### CALCULATION DATA

Basic dynamic load rating, C	47,500 kN
Basic static load rating, Co	34,000 kN
Fatigue load limit, Pu	1,430 kN
Reference speed	8000 r/min
Limiting speed	5600 r/min