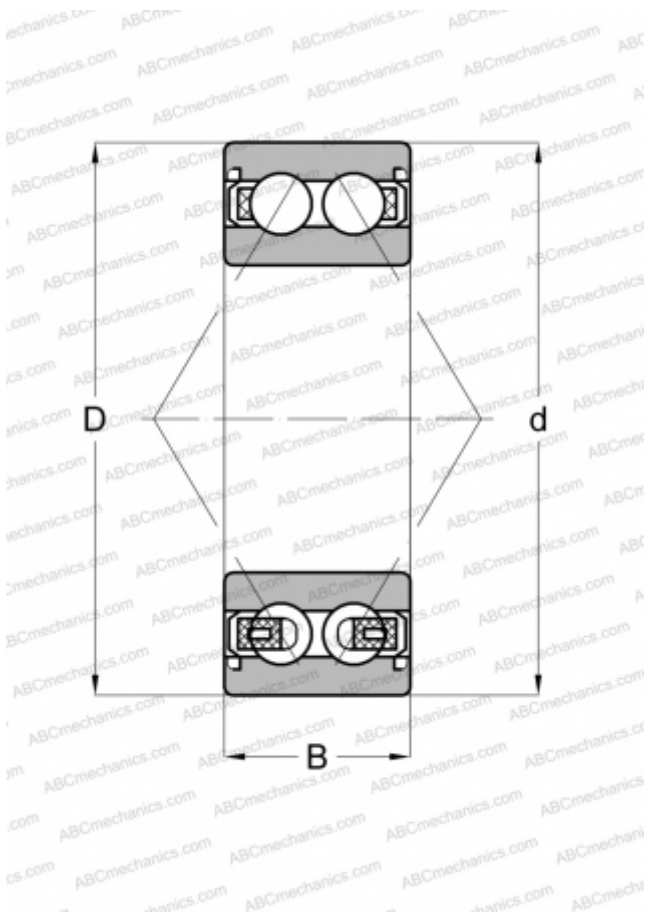


3311 A-2RS1 SKF

Angular contact ball bearings

TYPE: Ball bearings, Angular contact ball bearing, Double row, Contact angle 30°, Lip seals on both side



Technical specification

DIMENSIONS, MM

d	55,000
D	120,000
B	49,200

WEIGHT, KG

2,650

MANUFACTURER

[SKF](#)

INTERCHANGE

ABC	3311 BD 2RSR TVH
FAG	3311 BD 2RSR TVH

CALCULATION DATA

Basic dynamic load rating, C	112,000 kN
Basic static load rating, Co	81,500 kN
Fatigue load limit, Pu	3,450 kN
Reference speed	5300 r/min
Limiting speed	3800 r/min