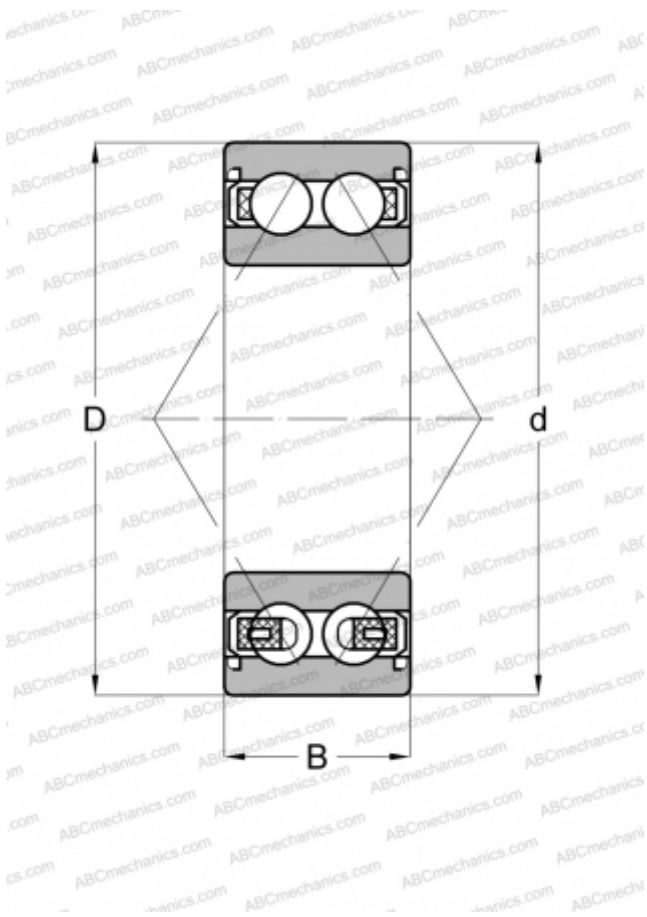


## 3203 A-2Z SKF

Angular contact ball bearings

TYPE: Ball bearings, Angular contact ball bearing, Double row, Contact angle 30°, Gap seals on both side



### Technical specification

#### DIMENSIONS, MM

d	17,000
D	40,000
B	17,500

#### WEIGHT, KG

0,100

#### MANUFACTURER

[SKF](#)

#### INTERCHANGE

ABC	<a href="#">3203 BD 2Z TVH</a>
FAG	<a href="#">3203 BD 2Z TVH</a>

#### CALCULATION DATA

Basic dynamic load rating, C	14,300 kN
Basic static load rating, Co	8,800 kN
Fatigue load limit, Pu	0,365 kN
Reference speed	16000 r/min
Limiting speed	12000 r/min