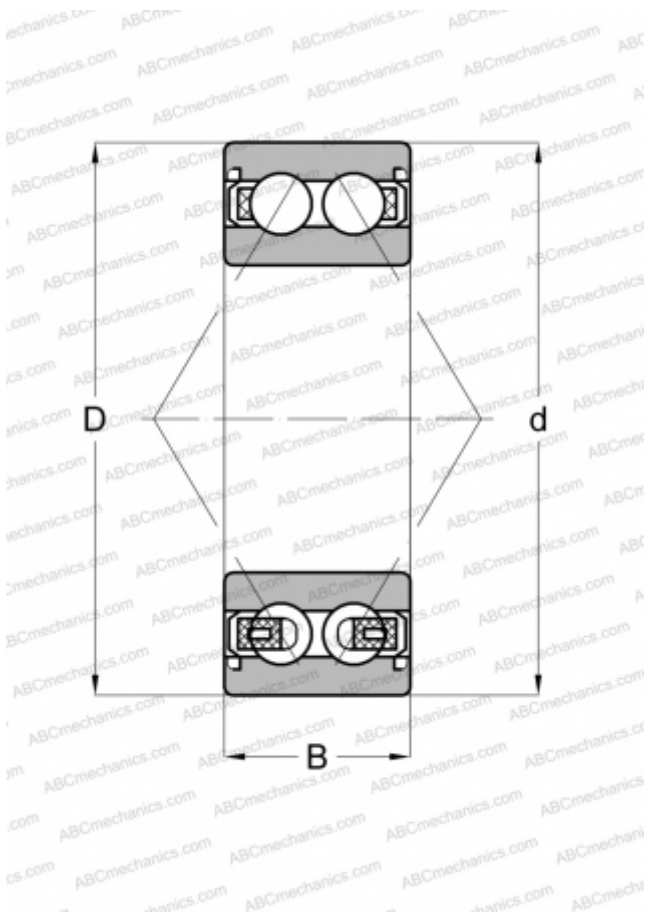


3211 A-2Z SKF

Angular contact ball bearings

TYPE: Ball bearings, Angular contact ball bearing, Double row, Contact angle 30°, Gap seals on both side



Technical specification

DIMENSIONS, MM

d	55,000
D	100,000
B	33,300

WEIGHT, KG

0,910

MANUFACTURER

[SKF](#)

INTERCHANGE

ABC	3211 BD 2Z TVH
FAG	3211 BD 2Z TVH

CALCULATION DATA

Basic dynamic load rating, C	60,000 kN
Basic static load rating, Co	47,500 kN
Fatigue load limit, Pu	2,000 kN
Reference speed	6300 r/min
Limiting speed	4500 r/min