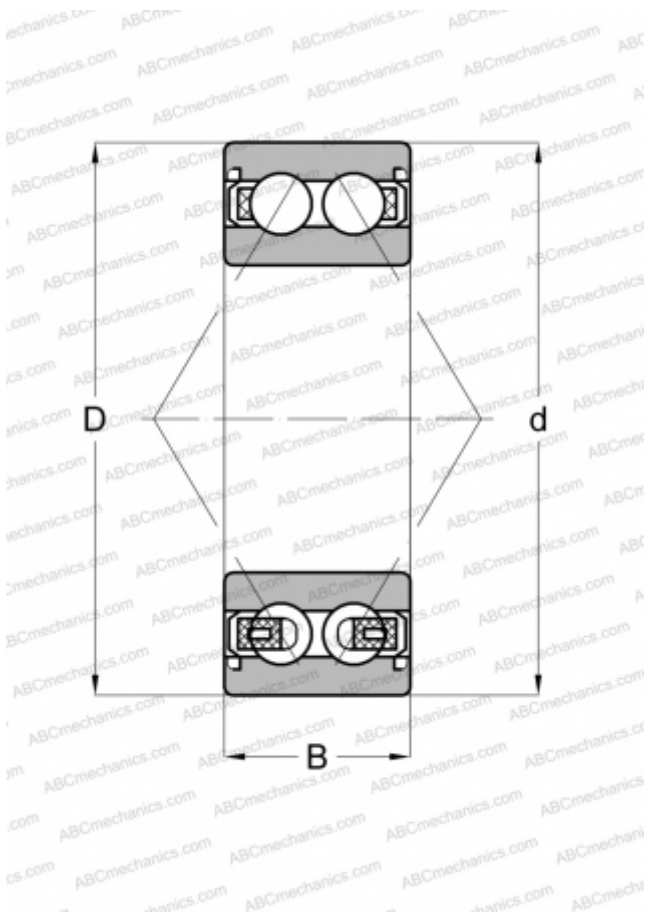


## 3213 A-2Z SKF

Angular contact ball bearings

TYPE: Ball bearings, Angular contact ball bearing, Double row, Contact angle 30°, Gap seals on both side



### Technical specification

#### DIMENSIONS, MM

d	65,000
D	120,000
B	38,100

#### WEIGHT, KG

1,750

#### MANUFACTURER

[SKF](#)

#### INTERCHANGE

ABC	<a href="#">3213 A 2Z</a>
-----	---------------------------

#### CALCULATION DATA

Basic dynamic load rating, C	80,600 kN
Basic static load rating, Co	73,500 kN
Fatigue load limit, Pu	3,100 kN
Reference speed	4800 r/min
Limiting speed	3600 r/min