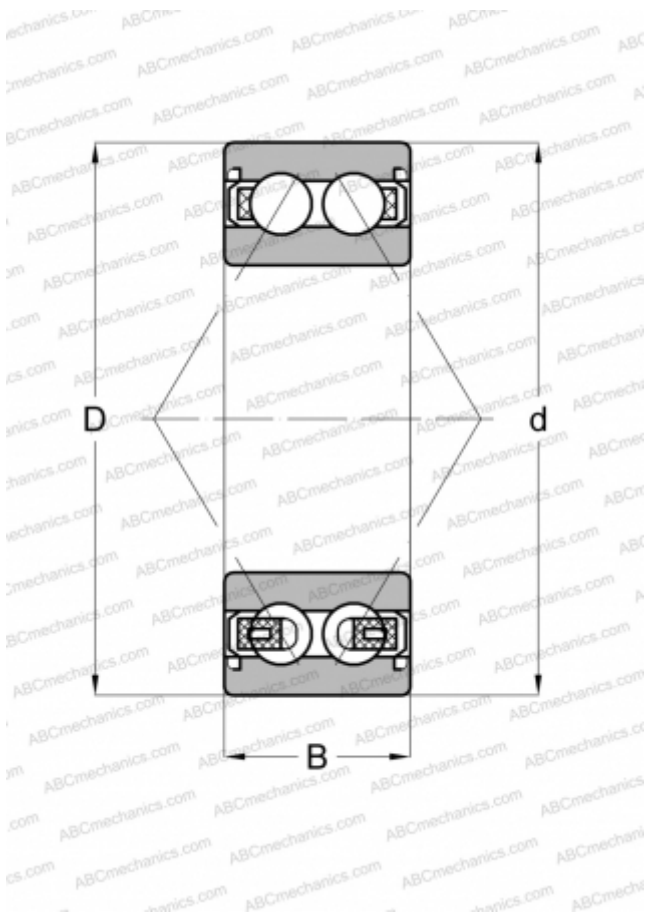


## 3214 A-2Z SKF

Angular contact ball bearings

TYPE: Ball bearings, Angular contact ball bearing, Double row, Contact angle 30°, Gap seals on both side



### Technical specification

#### DIMENSIONS, MM

d	70,000
D	125,000
B	39,700

#### WEIGHT, KG

1,900

#### MANUFACTURER

[SKF](#)

#### INTERCHANGE

ABC	<a href="#">3214 A 2Z</a>
-----	---------------------------

#### CALCULATION DATA

Basic dynamic load rating, C	88,400 kN
Basic static load rating, Co	80,000 kN
Fatigue load limit, Pu	3,400 kN
Reference speed	4500 r/min