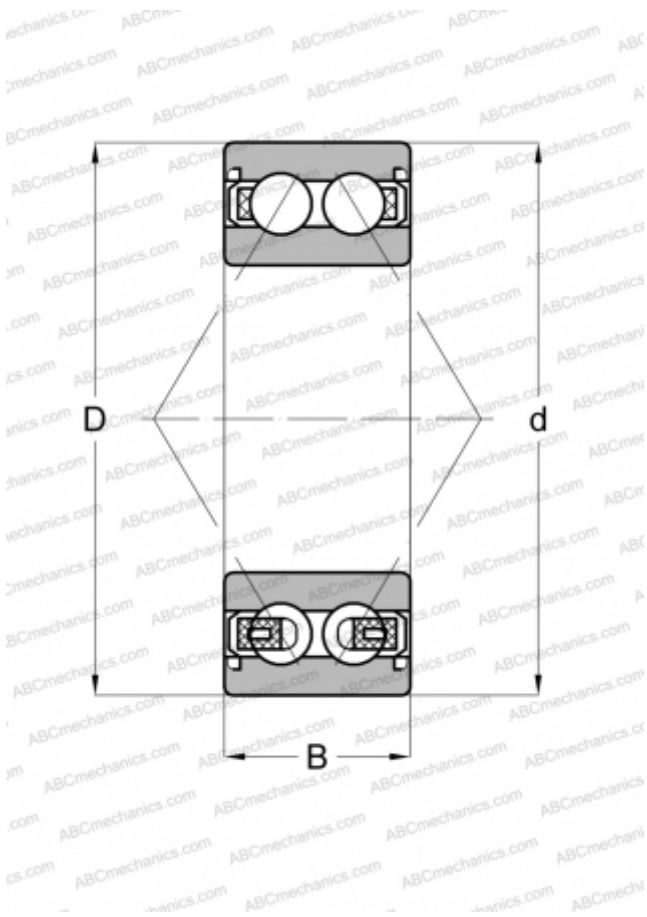


3314 A-2Z SKF

Angular contact ball bearings

TYPE: Ball bearings, Angular contact ball bearing, Double row, Contact angle 30°, Gap seals on both side



Technical specification

DIMENSIONS, MM

d	70,000
D	150,000
B	63,500

WEIGHT, KG

5,050

MANUFACTURER

[SKF](#)

INTERCHANGE

ABC	3314 BD 2Z TVH
FAG	3314 BD 2Z TVH

CALCULATION DATA

Basic dynamic load rating, C	163,000 kN
Basic static load rating, Co	125,000 kN
Fatigue load limit, Pu	5,000 kN
Reference speed	4300 r/min