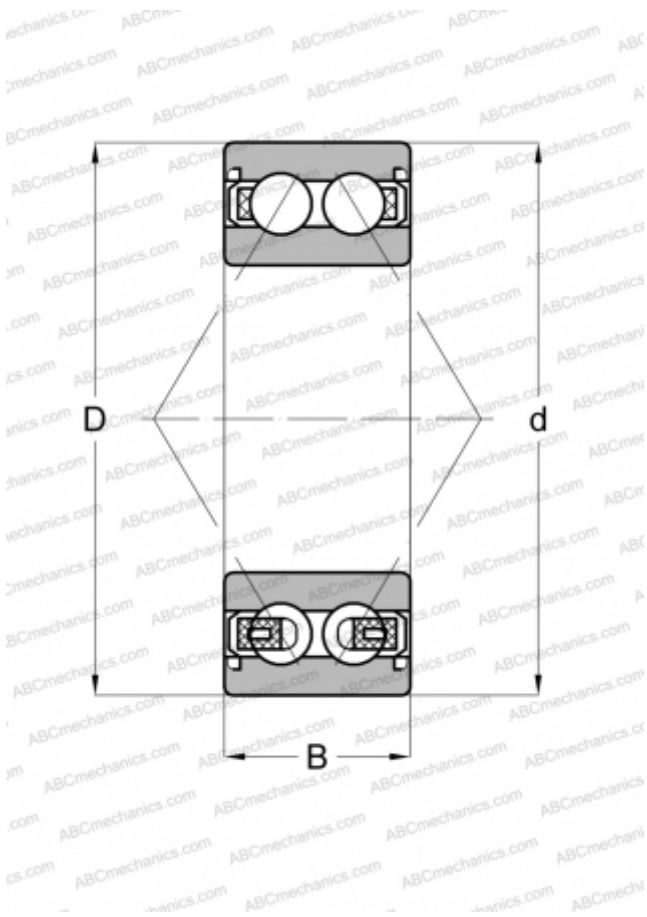


3315 A-2Z SKF

Angular contact ball bearings

TYPE: Ball bearings, Angular contact ball bearing, Double row, Contact angle 30°, Gap seals on both side



Technical specification

DIMENSIONS, MM

d	75,000
D	160,000
B	68,300

WEIGHT, KG

5,600

MANUFACTURER

[SKF](#)

INTERCHANGE

ABC	3315 A 2Z
-----	---------------------------

CALCULATION DATA

Basic dynamic load rating, C	176,000 kN
Basic static load rating, Co	140,000 kN
Fatigue load limit, Pu	5,500 kN
Reference speed	4000 r/min