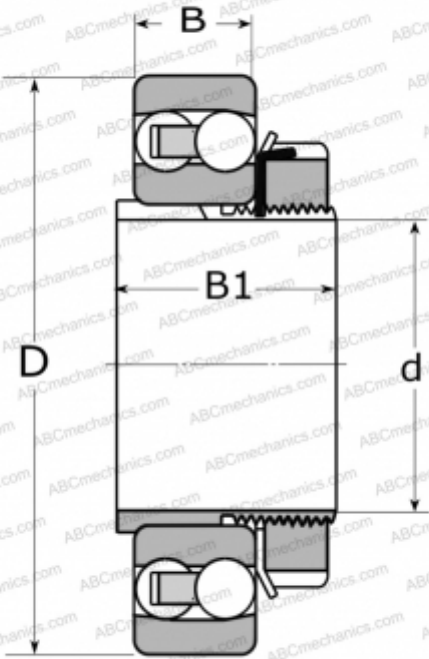


## 2206 EKTN9 SKF

Self-aligning ball bearings

TYPE: Ball bearings, Radial ball bearings, Double row, spherical, With tapered bore, With adapter sleeve



### Technical specification

#### DIMENSIONS, MM

d	25,000
D	62,000
B	20,000
B1	31,000

#### WEIGHT, KG

0,360

#### MANUFACTURER

[SKF](#)

#### CALCULATION DATA

Basic dynamic load rating, C	23,800 kN
Basic static load rating, Co	6,700 kN
Fatigue load limit, Pu	0,350 kN
Reference speed	22000 r/min
Limiting speed	15000 r/min

#### ASSOCIATED PRODUCTS

H 306