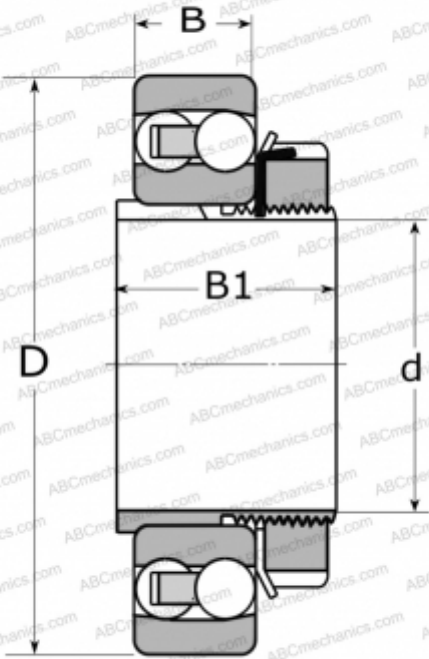


## 1312 EKTN9 SKF

Self-aligning ball bearings

TYPE: Ball bearings, Radial ball bearings, Double row, spherical, With tapered bore, With adapter sleeve



### Technical specification

#### DIMENSIONS, MM

|    |         |
|----|---------|
| d  | 55,000  |
| D  | 130,000 |
| B  | 31,000  |
| B1 | 47,000  |

#### WEIGHT, KG

2,150

#### MANUFACTURER

[SKF](#)

#### CALCULATION DATA

|                              |            |
|------------------------------|------------|
| Basic dynamic load rating, C | 58,500 kN  |
| Basic static load rating, Co | 22,000 kN  |
| Fatigue load limit, Pu       | 1,120 kN   |
| Reference speed              | 9000 r/min |
| Limiting speed               | 6300 r/min |

#### ASSOCIATED PRODUCTS

H 312