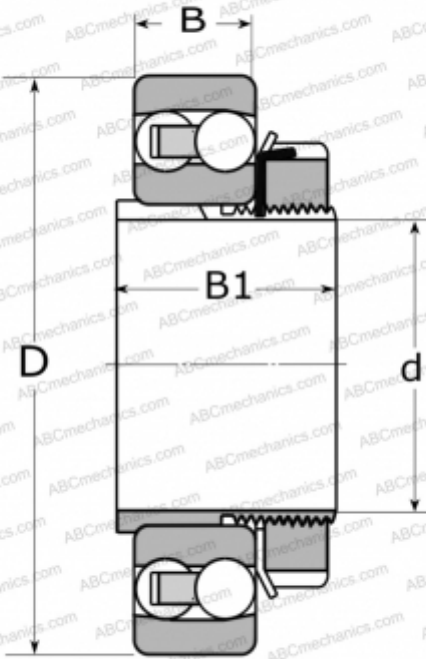


2317 K SKF

Self-aligning ball bearings

TYPE: Ball bearings, Radial ball bearings, Double row, spherical, With tapered bore, With adapter sleeve



Technical specification

DIMENSIONS, MM

d	75,000
D	180,000
B	60,000
B1	82,000

WEIGHT, KG

8,150

MANUFACTURER

[SKF](#)

CALCULATION DATA

Basic dynamic load rating, C	140,000 kN
Basic static load rating, Co	51,000 kN
Fatigue load limit, Pu	2,280 kN
Reference speed	6700 r/min
Limiting speed	4800 r/min

ASSOCIATED PRODUCTS

H 2317