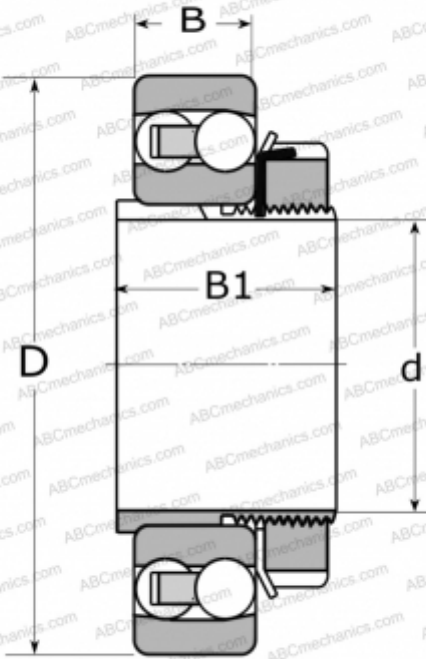


## 1218 K SKF

Self-aligning ball bearings

TYPE: Ball bearings, Radial ball bearings, Double row, spherical, With tapered bore, With adapter sleeve



### Technical specification

#### DIMENSIONS, MM

d	80,000
D	160,000
B	30,000
B1	52,000

#### WEIGHT, KG

3,500

#### MANUFACTURER

[SKF](#)

#### CALCULATION DATA

Basic dynamic load rating, C	57,200 kN
Basic static load rating, Co	23,600 kN
Fatigue load limit, Pu	1,080 kN
Reference speed	8500 r/min
Limiting speed	5300 r/min

#### ASSOCIATED PRODUCTS

H 218