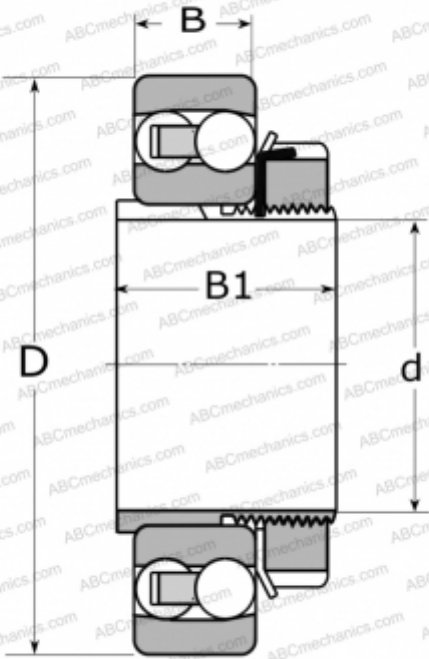


## 1322 KM SKF

Self-aligning ball bearings

TYPE: Ball bearings, Radial ball bearings, Double row, spherical, With tapered bore, With adapter sleeve



### Technical specification

#### DIMENSIONS, MM

d	100,000
D	240,000
B	50,000
B1	77,000

#### WEIGHT, KG

13,500

#### MANUFACTURER

[SKF](#)

#### CALCULATION DATA

Basic dynamic load rating, C	163,000 kN
Basic static load rating, Co	72,000 kN
Fatigue load limit, Pu	2,750 kN
Reference speed	5300 r/min
Limiting speed	3600 r/min

#### ASSOCIATED PRODUCTS

H 322