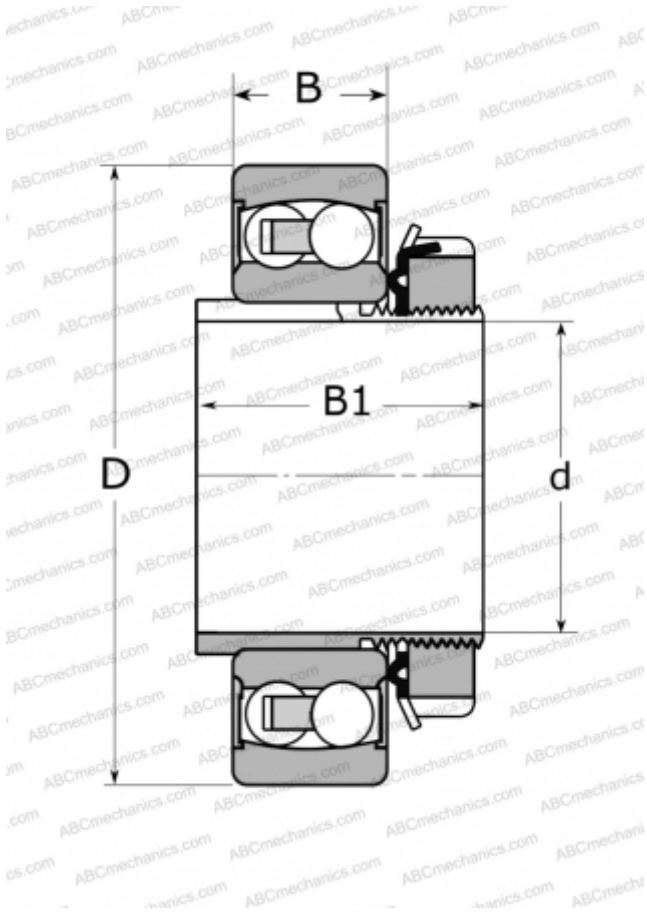


## 2207 E-2RS1KTN9 SKF

Self-aligning ball bearings

TYPE: Ball bearings, Radial ball bearings, Double row, spherical, With tapered bore, With adapter sleeve, seals 2RS



### Technical specification

#### DIMENSIONS, MM

|    |        |
|----|--------|
| d  | 30,000 |
| D  | 72,000 |
| B  | 23,000 |
| B1 | 35,000 |

#### WEIGHT, KG

0,550

#### MANUFACTURER

[SKF](#)

#### CALCULATION DATA

|                              |            |
|------------------------------|------------|
| Basic dynamic load rating, C | 19,000 kN  |
| Basic static load rating, Co | 6,000 kN   |
| Fatigue load limit, Pu       | 0,310 kN   |
| Limiting speed               | 6300 r/min |

#### ASSOCIATED PRODUCTS

H 307 C