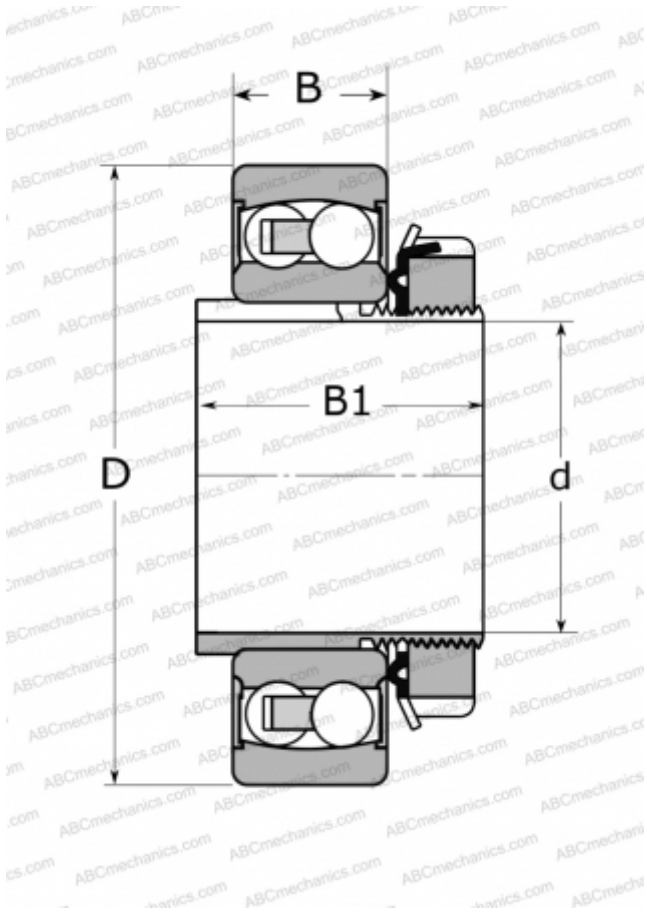


## 2211 E-2RS1KTN9 SKF

Self-aligning ball bearings

TYPE: Ball bearings, Radial ball bearings, Double row, spherical, With tapered bore, With adapter sleeve, seals 2RS



### Technical specification

#### DIMENSIONS, MM

d	50,000
D	100,000
B	25,000
B1	45,000

#### WEIGHT, KG

1,100

#### MANUFACTURER

[SKF](#)

#### CALCULATION DATA

Basic dynamic load rating, C	27,600 kN
Basic static load rating, Co	10,600 kN
Fatigue load limit, Pu	0,540 kN
Limiting speed	4300 r/min

#### ASSOCIATED PRODUCTS

H 311 C