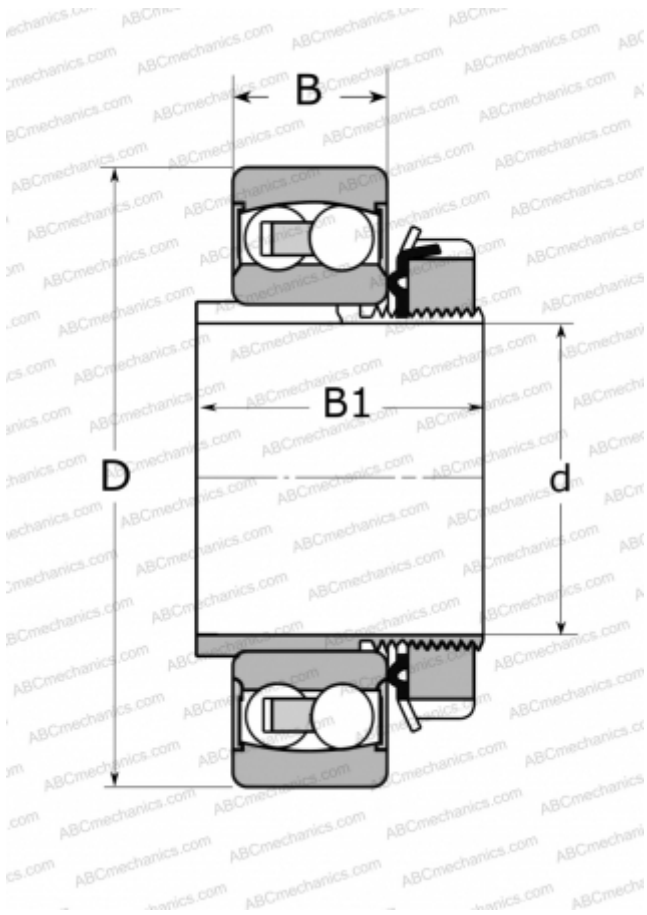


2212 E-2RS1KTN9 SKF

Self-aligning ball bearings

TYPE: Ball bearings, Radial ball bearings, Double row, spherical, With tapered bore, With adapter sleeve, seals 2RS



Technical specification

DIMENSIONS, MM

d	55,000
D	110,000
B	28,000
B1	47,000

WEIGHT, KG

1,400

MANUFACTURER

[SKF](#)

CALCULATION DATA

Basic dynamic load rating, C	31,200 kN
Basic static load rating, Co	12,200 kN
Fatigue load limit, Pu	0,620 kN
Limiting speed	3800 r/min

ASSOCIATED PRODUCTS

H 312 C