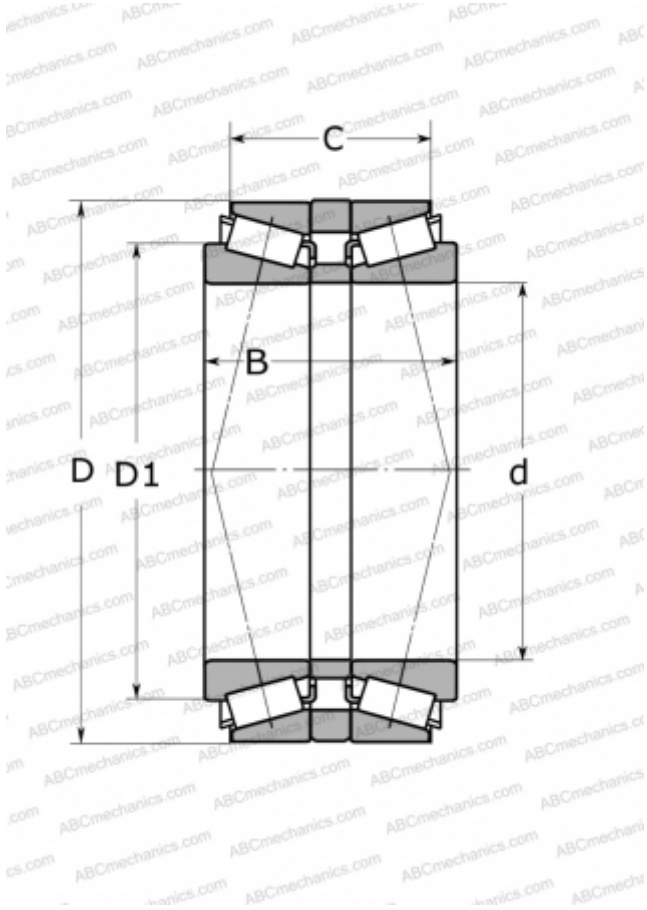


30215T70J2/DBC270 SKF

Tapered roller bearings

TYPE: Roller bearings, Tapered, Single row, matched bearings, Back-to-back (SKF)



Technical specification

DIMENSIONS, MM

| | |
|----|---------|
| d | 75,000 |
| D | 130,000 |
| D1 | 99,200 |
| B | 70,000 |
| C | 59,500 |

WEIGHT, KG

3,250

MANUFACTURER

[SKF](#)

CALCULATION DATA

| | |
|------------------------------|------------|
| Basic dynamic load rating, C | 238,000 kN |
| Basic static load rating, Co | 355,000 kN |
| Fatigue load limit, Pu | 41,500 kN |
| Reference speed | 3000 r/min |
| Limiting speed | 5000 r/min |