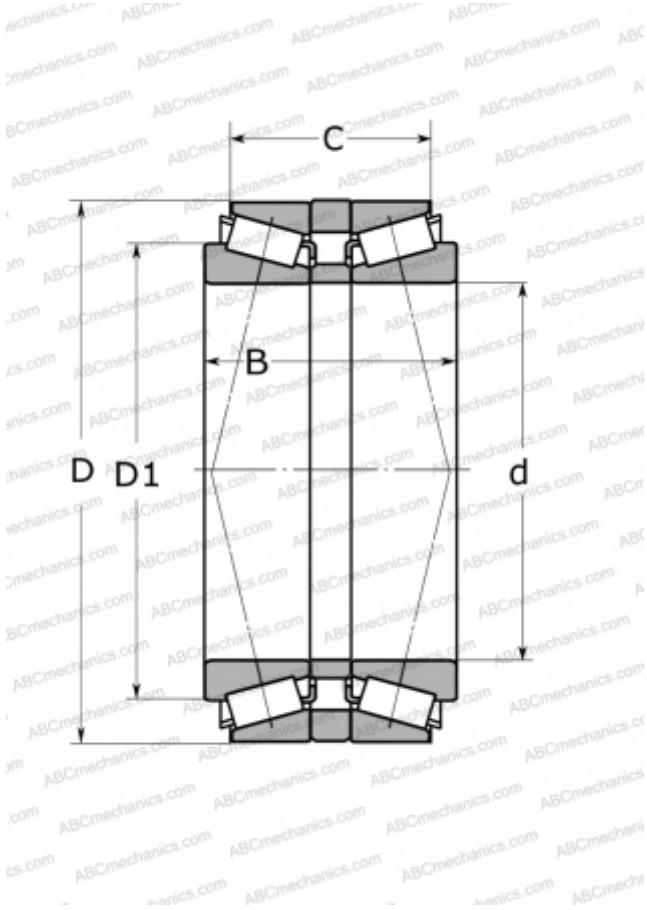


32216T78J2/QDBC110 SKF

Tapered roller bearings

TYPE: Roller bearings, Tapered, Single row, matched bearings, Back-to-back (SKF)



Technical specification

DIMENSIONS, MM

d	80,000
D	140,000
D1	106,000
B	78,000
C	63,500

WEIGHT, KG

4,450

MANUFACTURER

[SKF](#)

CALCULATION DATA

Basic dynamic load rating, C	319,000 kN
Basic static load rating, Co	490,000 kN
Fatigue load limit, Pu	57,000 kN
Reference speed	2800 r/min
Limiting speed	4500 r/min